

Singer 31-15
Singer 31-20

Form 8930, Revised

(442)

Printed in U. S. A.

LIST OF PARTS



SINGER** MACHINES Nos. 31-15 and 31-20

THE SINGER MANUFACTURING COMPANY

**A Trade Mark of THE SINGER MANUFACTURING COMPANY

From the library of: Diamond Needle Corp

INSTRUCTIONS FOR OILING

To ensure easy running and prevent unnecessary wear of the parts which are in movable contact, the machine requires oiling and when in continuous use, "TYPE B" or "TYPE D" OIL, sold by Singer Sewing Machine Company, should be applied at least twice each day to all oil holes marked "OIL", as instructed in Form 7829 for 31-20 machine and Form 8268 for 31-15 machine.

"TYPE D" OIL should be used when an oil is desired which will produce a minimum of stain on fabrics, even after a long period of storage.

Apply a few drops of oil to the small felt pad on the side of bobbin case each time a bobbin is replaced.

Copyright, U. S. A., 1935, 1936, 1939, 1941 and 1942,
by The Singer Manufacturing Company
All Rights Reserved for all Countries

INDEX

| | Page |
|----------------------------------|----------|
| Attachments and Accessories..... | 19 |
| Belt Guards..... | 19 |
| Binders..... | 19 to 25 |
| Bobbin Winders..... | 25 to 28 |
| Corders..... | 28 |
| Edge Folders on Shank..... | 29 |
| Feed Dogs..... | 29 |
| Finger Guards..... | 30 |
| Guides..... | 31 |
| Hemmers..... | 31 to 34 |
| Hemstitcher..... | 34 |
| Knee Lifter Parts..... | 34 |
| Lap Seam Feller..... | 35 |
| Machine Base..... | 36 |
| Machine No. 31-15..... | 7 |
| Machine No. 31-20..... | 13 |
| Numerical List of Parts..... | 45 |
| Obsolete Parts..... | 42 |
| Piping Attachment..... | 36 |
| Presser Feet..... | 36 to 38 |
| Quilter..... | 39 |
| Ruffler (Power)..... | 39 |
| Throat Plates..... | 40 |
| Tucker..... | 40 |

From the library of: Diamond Needle Corp

PARTS FOR MACHINE NO. 31-15

| No. | Plate | Name |
|--------|-------|--|
| 12193 | 22307 | Arm Side Cover..... |
| 51224J | 22307 | " " " Thumb Screw..... |
| 52239 | 22307 | " Spool Pin and Thread Eyelet..... |
| 8879 | 22307 | " " " Washer (cloth)..... |
| 12358 | 22303 | Balance Wheel (power) light rim, 2 3/16 in. pulley, with two 448AL |
| 139631 | ----- | Balance Wheel (power) "V" belt groove (outside diam. of belt groove 2.9 in.) with two 443AL..... |
| 4370 | ----- | Balance Wheel (stand) heavy rim, 2 3/4 in. pulley, with two 448AL. |
| 2135 | 22303 | Balance Wheel (stand) heavy rim, 2 1/2 in. pulley, for 3022..... |
| 2862 | ----- | Balance Wheel (stand) heavy rim, 3 in. pulley, for 3022..... |
| 24297 | 22303 | Balance Wheel Oil Cover, for use with 2135 and 2862..... |
| 210J | 22303 | Balance Wheel Oil Cover Screw..... |
| 448AL | 22303 | " " " Set Screw for 4370 and 12358 (2)..... |
| 443AL | ----- | Balance Wheel Set Screw for 139631 (2)..... |
| *12360 | ----- | Bed..... |
| 256J | 22303 | Clamp Stop Motion Clamp Screw..... |
| 248A | 22303 | " " " Stop Screw... |
| 2020 | 22303 | " " " Washer..... |
| *3023 | ----- | " " " Flanged Bushing.... |
| 4933 | 22303 | " " " " 3023 with two 462AL..... |
| *56827 | ----- | Clamp Stop Motion Flanged Bushing 3023 with 256J..... |
| 2022 | ----- | Clamp Stop Motion Flanged Bushing Pin |
| 462AL | 22303 | " " " Set Screw (2)..... |
| 3022 | 22303 | Clamp Stop Motion complete, Nos. 248A, 256J, 2020 and 4933..... |
| 20197 | 22303 | Crank Connecting Rod with two 896AL.. |
| 896AL | 22303 | " " " Cap Screw (2)... |
| 908C | 22303 | " " " Hinge Screw..... |
| 1619E | 22303 | " " " Nut |
| 20057 | 22304 | Face Plate..... |
| 20058 | ----- | Face Plate complete, Nos. 12150, 20057 and 139615..... |
| 190J | 22304 | Face Plate Screw..... |
| 12150 | 22304 | " " " Thread Guard (lower) with 12152..... |
| 12152 | 22304 | Face Plate Thread Guard (lower) Rivet |
| 45874 | ----- | " " " (upper) |
| 139615 | 22304 | " " " " 45874 with 125424..... |
| 125424 | 22304 | Face Plate Thread Guard (upper) Rivet |
| 51224J | 22304 | " " " Thumb Screw..... |
| 12368 | 22305 | Feed Bar..... |
| 313C | 22305 | " " " Screw Center (2)..... |
| 56813 | ----- | " " " 313C with 1519J (2)..... |
| 1519J | 22305 | Feed Bar Screw Center Nut (2)..... |
| 52165 | 22303 | " " " Connecting Link..... |
| 375C | 22303 | " " " Hinge Screw (2). |
| 1518J | 22303 | " " " Nut (2)..... |
| 44252 | 22304 | Feed Dog, for cloth, 12 teeth (12 teeth to the inch)..... |
| 208AL | 22304 | Feed Dog Screw (2)..... |

PARTS FOR MACHINE NO. 31-15

| No. | Plate | Name |
|--------|-------|--|
| 20283 | 22303 | Feed and Feed Lifting Eccentric with 446AL..... |
| 446AL | 22303 | Feed and Feed Lifting Eccentric Set Screw..... |
| 127152 | 22303 | Feed and Feed Lifting Eccentric Sleeve..... |
| 20284 | 22303 | Feed Forked Connection..... |
| 375C | 22303 | " " " Hinge Screw... |
| 1518J | 22303 | " " " Nut |
| 43993 | ----- | Feed Forked Connection complete, Nos. 20284, 52165, 56886 and two each 375C and 1518J..... |
| 44125 | 22305 | Feed Lifting Rock Shaft..... |
| 44126 | 22305 | Feed Lifting Rock Shaft complete, Nos. 12376 and 44125..... |
| 12376 | 22305 | Feed Lifting Rock Shaft Crank with 157J and 1813..... |
| 157J | 22305 | Feed Lifting Rock Shaft Crank Clamp- ing Screw..... |
| 1813 | 22305 | Feed Lifting Rock Shaft Crank Roller and Stud..... |
| 43976 | 22303 | Feed Lifting Rock Shaft Crank Con- necting Rod with two 966E..... |
| 966E | 22303 | Feed Lifting Rock Shaft Crank Con- necting Rod Cap Screw (2)..... |
| 375C | 22303 | Feed Lifting Rock Shaft Crank Con- necting Rod Hinge Screw..... |
| 1518J | 22303 | Feed Lifting Rock Shaft Crank Con- necting Rod Hinge Screw Nut..... |
| 307C | 22305 | Feed Lifting Rock Shaft Screw Center (2)..... |
| 56814 | ----- | Feed Lifting Rock Shaft Screw Center 307C with 1513J (2)..... |
| 1513J | 22305 | Feed Lifting Rock Shaft Screw Center Nut (2)..... |
| 3039 | 22303 | Feed Regulator..... |
| 56886 | ----- | " " " 3039 with 818D..... |
| 1128E | 22303 | " " " Hinge Screw..... |
| 818D | 22303 | " " " Thumb Screw..... |
| 12379 | 22305 | " Rock Shaft..... |
| 20333 | ----- | Feed Rock Shaft complete, Nos. 12379 and 29633..... |
| 29633 | 22305 | Feed Rock Shaft Crank with 157J..... |
| 157J | 22305 | " " " Clamping Screw. |
| 307C | 22305 | " " " Screw Center (2)..... |
| 56814 | ----- | " " " " 307C with 1513J (2)..... |
| 1513J | 22305 | Feed Rock Shaft Screw Center Nut (2). |
| 12381 | 22306 | Needle Bar (hollow)..... |
| 43997 | 22306 | " " " Connecting Link with 794E and 12384..... |
| 794E | 22306 | Needle Bar Connecting Link Adjusting Screw..... |
| 12384 | 22306 | Needle Bar Connecting Stud with 453AL and 1904..... |
| 1904 | 22306 | Needle Bar Connecting Stud Roller (roller only)..... |
| 453AL | 22306 | Needle Bar Connecting Stud Set Screw. |
| 20188 | 22303 | " " " Crank with 858AL and 1065AL..... |
| 1065AL | 22303 | Needle Bar Crank Position Screw..... |
| 858AL | 22303 | " " " Set Screw..... |
| 936E | 22306 | " " " Screw Bushing (2)..... |
| 4302 | 22306 | " " " Thread Guard..... |

| No. | Plate | Name |
|--|-------|---|
| 233D | 22306 | Needle Bar Thread Guard Screw..... |
| 4303 | 22306 | " Clamp with 808F..... |
| 808F | 22306 | " Screw..... |
| *24104 | ----- | Oscillating Rock Shaft..... |
| 24105 | 22303 | Oscillating Rock Shaft complete, Nos. 4784, 12388 and 24104..... |
| 139602 | ----- | Oscillating Rock Shaft 24105 with 908C..... |
| 12388 | 22303 | Oscillating Rock Shaft Hinge Pin..... |
| 448AL | 22303 | " Set Screw..... |
| 4784 | 22303 | Oscillating Rock Shaft Oil Pad..... |
| 12389 | 22305 | " Shaft..... |
| 19496 | ----- | " " Crank for 19447..... |
| 44134 | 22305 | " " 44135..... |
| 19447 | ----- | Oscillating Shaft Crank complete, Nos. 457AL, 1518E, 19449 and 19496..... |
| 44135 | 22305 | Oscillating Shaft Crank complete, Nos. 1518E, 19449, 44134 and two 453AL..... |
| 2049 | ----- | Oscillating Shaft Crank Pin..... |
| 457AL | ----- | " Set Screw for 19447..... |
| 453AL | 22305 | Oscillating Shaft Crank Set Screw for 44135 (2)..... |
| 19448 | 22305 | Oscillating Shaft Crank Slide Block.. |
| 226J | 22305 | " Cap Screw..... |
| 12424 | 22305 | Oscillating Shaft Crank Slide Block Cap Screw Washer..... |
| 988C | 22305 | Oscillating Shaft Crank Slide Block Screw Stud..... |
| 1518E | 22305 | Oscillating Shaft Crank Slide Block Screw Stud Nut..... |
| 19449 | ----- | Oscillating Shaft Crank Slide Block complete, Nos. 226J, 988C, 12424 and 19448..... |
| 12391 | 22306 | Presser Bar (hollow)..... |
| 20059 | 22306 | " Guide Bracket with 453AL..... |
| 453AL | 22306 | Presser Bar Guide Bracket Set Screw.. |
| 52016 | 22306 | " " Lifter..... |
| 689C | 22306 | " " Screw..... |
| 1520J | 22306 | " " Nut..... |
| 12327 | 22306 | " " Lifting and Releasing Lever Bracket..... |
| 11167 | 22306 | Presser Bar Spring (light) .051 wire. |
| Note: No. 11167 is sent with this machine unless another Spring is specified on order. | | |
| 12139 | ----- | Presser Bar Spring (medium) .055 wire |
| 20023 | ----- | " " (heavy) .063 wire. |
| 11170 | 22306 | " " Washer..... |
| 12143 | 22306 | " Foot for 44252 and 44253..... |
| 190J | 22306 | Presser Foot Screw..... |
| 688J | 22306 | Pressure Regulating Thumb Screw..... |
| 2996 | 22306 | Shuttle Bobbin..... |
| 15140 | 22306 | " Case Latch..... |
| 2973 | 22306 | " " Lever..... |
| 2974 | 22306 | " " " Fulcrum Pin..... |
| 2975 | 22306 | Shuttle Bobbin Case Latch Spring..... |
| 592E | 22306 | " Stop Screw..... |
| 15141 | ----- | Shuttle Bobbin Case Hinge, Nos. 2973, 2974 and 15140..... |

| No. | Plate | Name |
|--------|-------|--|
| 24412 | 22307 | Shuttle Bobbin Case Position Plate... |
| 391J | 22307 | " Screw (2)..... |
| 62740 | 22306 | Shuttle Bobbin Case complete, Nos. 591F, 592E, 2975, 15141 and 15278 |
| 12393 | 22306 | Shuttle Body..... |
| 591F | 22306 | " Tension Regulating Screw..... |
| 15278 | 22306 | " Spring..... |
| 19292 | 22306 | Shuttle, 1 11/16 in. diam., Nos. 2996, 12393, and 62740..... |
| 12444 | 22305 | Shuttle Driver with two 1266AL..... |
| 2049 | ----- | " " Pin..... |
| 1266AL | 22305 | " " Set Screw (2)..... |
| 2531 | 22307 | " Race Back..... |
| 2532 | 22307 | " " Position Pin (2)... |
| 2533 | 22307 | " " Spring..... |
| 907D | 22307 | " " Screw..... |
| 24413 | 22307 | " " Body..... |
| 25000 | ----- | " " 24413 with 24414 and two 1053E..... |
| 24962 | ----- | Shuttle Race Body 25000 with two 2532 |
| 24414 | 22307 | " " Cap..... |
| 1053E | 22307 | " " Screw (2)..... |
| 24415 | 22307 | Shuttle Race complete, Nos. 907D, 2531, 2533, 24412, 24962 and two 391J..... |
| 145D | 22307 | Shuttle Race Screw (2)..... |
| 12431 | 22304 | " Slide..... |
| 12432 | 22304 | Shuttle Race Slide complete, Nos. 4307, 12431 and two 725J..... |
| 4307 | 22304 | Shuttle Race Slide Spring..... |
| 725J | 22304 | " Screw (2)... |
| 20060 | 22306 | Slack Thread Regulator..... |
| 225F | 22306 | " Adjusting Screw..... |
| 2102 | 22304 | Tension Disc (2)..... |
| 1560C | 22304 | " Regulating Thumb Nut..... |
| 32572 | 22304 | " Releasing Disc..... |
| 43944 | 22304 | " " Lever..... |
| 12398 | 22304 | " " Hinge Pin.. |
| 12329 | 22304 | " " Spring..... |
| 32574 | 22304 | " " Pin..... |
| 50327C | 22304 | " Screw Stud..... |
| 44141 | ----- | " 50327C with 1560C. |
| 43945 | 22304 | " Spring..... |
| 44118 | 22304 | Tension complete, Nos. 7336, 32572, 32574, 43945, 43946, 44141 and two 2102..... |
| 52454 | 22304 | Thread Retainer..... |
| 624AL | 22304 | " Set Screw..... |
| 12404 | 22306 | " Take-up Crank..... |
| 3094 | 22303 | " " Wedge..... |
| 690E | 22303 | " " Screw..... |
| 12408 | 22308 | " " Lever..... |
| 775E | 22306 | " " Cap Screw..... |
| 12166 | 22306 | " " Hinge Pin..... |
| 12409 | 22306 | " " Link..... |
| 11204 | 22306 | " " Hinge Pin.. |
| 435AL | 22306 | " " " Set Screw..... |
| 12410 | ----- | Thread Take-up Lever complete, Nos. 12166, 12408 and 12409..... |
| 43946 | 22304 | Thread Take-up Spring..... |

PARTS FOR MACHINE NO. 31-20

| No. | Plate | Name |
|--------|-------|---|
| 12193 | 22317 | Arm Side Cover..... |
| 51224J | 22317 | " " Thumb Screw..... |
| 52239 | 22317 | " Spool Pin and Thread Eyelet..... |
| 8879 | 22317 | " " Washer (cloth)..... |
| 12358 | 22303 | Balance Wheel (power) light rim,, 2 3/16 in. pulley, with two 448AL |
| 139631 | ----- | Balance Wheel (power) "v" belt groove (outside diam. of belt 2.9 in.) with two 443AL..... |
| 4370 | ----- | Balance Wheel (stand) heavy rim, 2 3/4 in. pulley, with two 448AL. |
| 2135 | 22303 | Balance Wheel (stand) heavy rim, 2 1/2 in. pulley, for 3022..... |
| 2862 | ----- | Balance Wheel (stand) heavy rim, 3 in. pulley, for 3022..... |
| 24297 | 22303 | Balance Wheel Oil Cover for 2135 and 2862..... |
| 210J | 22303 | Balance Wheel Oil Cover Screw..... |
| 448AL | 22303 | " " Set Screw for 4370 and 12358 (2)..... |
| 443AL | ----- | Balance Wheel Set Screw for 139631 (2)..... |
| *12360 | ----- | Bed..... |
| 256J | 22303 | Clamp Stop Motion Clamp Screw..... |
| 248A | 22303 | " " " Stop Screw... .. |
| 2020 | 22303 | " " " Washer..... |
| *3023 | ----- | " " " Flanged Bushing..... |
| 4933 | 22303 | " " " 3023 with two 462AL..... |
| *56827 | ----- | Clamp Stop Motion Flanged Bushing 3023 with 256J..... |
| 2022 | ----- | Clamp Stop Motion Flanged Bushing Pin Set |
| 462AL | 22303 | " " Screw (2)..... |
| 3022 | 22303 | Clamp Stop Motion complete, Nos. 248A, 256J, 2020 and 4933..... |
| 20197 | 22303 | Crank Connecting Rod with two 896AL.. |
| 896AL | 22303 | " " " Cap Screw (2).... |
| 908C | 22303 | " " " Hinge Screw..... |
| 1619E | 22303 | " " " Nut..... |
| 20057 | 22304 | Face Plate..... |
| 20058 | ----- | Face Plate complete, Nos. 12150, 20057 and 139615..... |
| 190J | 22304 | Face Plate Screw..... |
| 12150 | 22304 | " " Thread Guard (lower) with 12152..... |
| 12152 | 22304 | Face Plate Thread Guard (lower) Rivet |
| 45874 | ----- | " " " (upper)..... |
| 139615 | 22304 | " " " 45874 with 125424..... |
| 125424 | 22304 | Face Plate Thread Guard (upper) Rivet |
| 51224J | 22304 | " " Thumb Screw..... |
| 12368 | 22315 | Feed Bar..... |
| 313C | 22315 | " " " Screw Center (2)..... |
| 56813 | ----- | " " " 313C with 1519J (2)..... |
| 1519J | 22315 | Feed Bar Screw Center Nut (2)..... |
| 52165 | 22303 | " " Connecting Link..... |
| 375C | 22303 | " " " Hinge Screw (2).. |
| 1518J | 22303 | " " " Nut (2)..... |
| 44252 | 22304 | Feed Dog, for cloth, 12 teeth (12 teeth to the inch)..... |
| 208AL | 22304 | Feed Dog, Screw (2)..... |

PARTS FOR MACHINE NO. 31-20

| No. | Plate | Name |
|--------|-------|--|
| 20283 | 22303 | Feed and Feed Lifting Eccentric with 446AL..... |
| 446AL | 22303 | Feed and Feed Lifting Eccentric Set Screw..... |
| 127152 | 22303 | Feed and Feed Lifting Eccentric Sleeve..... |
| 20284 | 22303 | Feed Forked Connection..... |
| 375C | 22303 | Feed Forked Connection Hinge Screw... .. |
| 1518J | 22303 | " " " Nut |
| 43993 | ----- | Feed Forked Connection complete, Nos. 20284, 52165, 56886 and two each 375C and 1518J..... |
| 44125 | 22315 | Feed Lifting Rock Shaft..... |
| 44126 | 22315 | Feed Lifting Rock Shaft complete, Nos. 12376 and 44125..... |
| 12376 | 22315 | Feed Lifting Rock Shaft Crank with 157J and 1813..... |
| 157J | 22315 | Feed Lifting Rock Shaft Crank Clamp- ing Screw..... |
| 1813 | 22315 | Feed Lifting Rock Shaft Crank Roller and Stud..... |
| 43976 | 22303 | Feed Lifting Rock Shaft Crank Con- necting Rod with two 966E..... |
| 966E | 22303 | Feed Lifting Rock Shaft Crank Con- necting Rod Cap Screw (2)..... |
| 375C | 22303 | Feed Lifting Rock Shaft Crank Con- necting Rod Hinge Screw..... |
| 1518J | 22303 | Feed Lifting Rock Shaft Crank Con- necting Rod Hinge Screw Nut..... |
| 307C | 22315 | Feed Lifting Rock Shaft Screw Center (2)..... |
| 56814 | ----- | Feed Lifting Rock Shaft Screw Center 307C with 1513J (2)..... |
| 1513J | 22315 | Feed Lifting Rock Shaft Screw Center Nut (2)..... |
| 3039 | 22303 | Feed Regulator..... |
| 56886 | ----- | " " " 3039 with 818D..... |
| 1128E | 22303 | " " " Hinge Screw..... |
| 818D | 22303 | " " " Thumb Screw..... |
| 12379 | 22315 | " " Rock Shaft..... |
| 20333 | ----- | Feed Rock Shaft complete, Nos. 12379 and 29633..... |
| 29633 | 22315 | Feed Rock Shaft Crank with 157J..... |
| 157J | 22315 | " " " Clamping Screw. |
| 307C | 22315 | " " " Screw Center (2)..... |
| 56814 | ----- | " " " " 307C with 1513J (2)..... |
| 1513J | 22315 | Feed Rock Shaft Screw Center Nut (2).. |
| 12381 | 22316 | Needle Bar (hollow)..... |
| 43997 | 22316 | " " Connecting Link with 794E and 12384..... |
| 794E | 22316 | Needle Bar Connecting Link Adjusting Screw..... |
| 12384 | 22316 | Needle Bar Connecting Stud with 453AL and 1904..... |
| 1904 | 22316 | Needle Bar Connecting Stud Roller (roller only)..... |
| 453AL | 22316 | Needle Bar Connecting Stud Set Screw. |
| 20188 | 22303 | " " Crank with 858AL and 1065AL..... |
| 1065AL | 22303 | Needle Bar Crank Position Screw..... |
| 858AL | 22303 | " " Set Screw..... |
| 936E | 22316 | " " " Screw Bushing (2)..... |
| 4302 | 22316 | " " " Thread Guard..... |

PARTS FOR MACHINE NO. 31-20

| No. | Plate | Name |
|---------|-------|--|
| 7336 | 22304 | Thread Take-up Spring Regulator..... |
| 448AL | 22304 | Set |
| 43990 | ----- | Screw..... |
| | | Thread Take-up complete, Nos. 775E, 11204, 12404, 12410 and 43997.... |
| 44256XC | 22304 | Throat Plate, large needle hole, for 44252 and 44253..... |
| 691XC | 22304 | Throat Plate Screw (2)..... |
| *15404 | ----- | Trade Mark..... |
| 15405 | ----- | " Rivet (2)..... |
| 139622 | 22341 | Drip Pan with four 1 in. wire nails.. |

ATTACHMENTS AND ACCESSORIES

| No. | Plate | Name |
|--------|-------|--|
| 12361 | 24059 | Machine Hinge Connection (2)..... |
| 41400 | 24059 | " Rest Pin (wood) 3 1/8 in. long..... |
| 120342 | 24059 | Oiler (copper plated) with 120343.... |
| 120343 | 24059 | " Spout, 3 1/2 in. long..... |
| 26026 | 24059 | Screw Driver (machine)..... |
| 26485 | 24059 | " (shuttle tension)..... |
| 8909 | 24059 | Wrench for 1513 and 1518..... |
| 8908 | 24059 | " " 1519, 1520 and 1620..... |
| 19221 | 24059 | " " 936 and 1619..... |
| 4822 | 24059 | " " 1521..... |

BELT GUARDS

| No. | Plate | Name |
|-------|-------|--|
| 41929 | 22343 | Belt Guard..... |
| 8418 | 22343 | " Button..... |
| 8419 | 22343 | " " Washer (leather)..... |
| 8420 | ----- | " " 8418 with 8419 and wood screw 1 1/4 in. No. 9 R.H.B. |
| 41930 | 22343 | Belt Guard Hinge (2)..... |
| 41931 | 22343 | Belt Guard complete, Nos. 8420, 41929, two 41930 and four wood screws 3/4 in. No. 9..... |

FOR BENCH STANDS

| No. | Plate | Name |
|--------|-------|---|
| 126356 | 22332 | Belt Guard..... |
| 126363 | 22332 | " Bracket..... |
| 126364 | 22332 | " " Extension..... |
| 162D | 22332 | " " " Screw..... |
| 9331 | 22332 | " " " Washer..... |
| 1480D | 22332 | " " Retaining Screw..... |
| 50551J | 22332 | " " Set Screw..... |
| 126365 | 22332 | Belt Guard (adjustable) complete, Nos. 162D, 1480D, 9331, 50551J, 126356, 126363, 126364 and two wood screws 1 in. No. 10..... |

BINDERS

WHEN ORDERING BINDERS SEND SAMPLE OF THE

BINDING AND THE MATERIAL TO BE BOUND

BINDER (Adjustable)

SIZE 1

| No. | Plate | Name |
|-------|-------|---------------------------------|
| 25644 | 22912 | Bed with 25645..... |
| 25645 | ----- | Folder..... |
| 25646 | 22912 | " Guide (lower) with 25855..... |
| 25855 | ----- | " " Screw Stud..... |
| 25647 | 22912 | Folder Guide (upper)..... |

BINDERS

| No. | Plate | Name |
|-------|-------|---|
| 1577D | 22912 | Folder Guide (upper) Thumb Nut..... |
| 25648 | 22912 | Pressure Spring..... |
| 334J | 22912 | " " Screw..... |
| 7071 | 22912 | " " Washer..... |
| 25650 | 22912 | Binder complete, Nos. 334J, 1577D, 7071, 25644 and 25646 to 25648... |
| 190J | 22912 | Binder Screw..... |

BINDER (Adjustable)

SIZE 2

THIS BINDER IS THE SAME AS NO. 25650

WITH THE FOLLOWING EXCEPTIONS:

| No. | Plate | Name |
|-------|-------|--|
| 25651 | 22912 | Bed with 25652, in place of 25644.... |
| 25652 | ----- | Folder, in place of 25645..... |
| 25653 | 22912 | Binder complete, Nos. 334J, 1577D, 7071, 25646 to 25648 and 25651.... |

BINDER (Adjustable)

SIZE 3

THIS BINDER IS THE SAME AS NO. 25650

WITH THE FOLLOWING EXCEPTIONS:

| No. | Plate | Name |
|-------|-------|--|
| 25654 | 22912 | Bed with 25655, in place of 25644.... |
| 25655 | ----- | Folder, in place of 25645..... |
| 25656 | 22912 | Binder complete, Nos. 334J, 1577D, 7071, 25646 to 25648 and 25654.... |

BINDER (Adjustable)

FOR CAP FRONTS

FOR 31-20 MACHINE

| No. | Plate | Name |
|-------|-------|---------------------------------------|
| 26695 | 24060 | Bed with 9558..... |
| 25698 | 24060 | Folder..... |
| 9558 | 24060 | " Steady Pin..... |
| 26696 | 24060 | Guide (lower) with 1141D and 9780.... |
| 1141D | 24060 | " " Screw Stud..... |
| 9780 | 24060 | " " Stud..... |
| 1566D | 24060 | " " Thumb Nut..... |
| 26697 | 24060 | " (upper)..... |
| 152F | 24060 | " " Screw (2)..... |
| 7071 | 24060 | " " Washer (2)..... |
| 25703 | 24060 | Pressure Spring with 26698..... |
| 26698 | 24060 | " Lifting Button..... |

BINDERS

| No. | Plate | Name |
|-------|-------|---|
| 334J | 24060 | Pressure Spring Screw..... |
| 7071 | 24060 | " " Washer..... |
| 26694 | 24060 | Binder complete, Nos. 334J, 1566D, 25698, 25703, 26695 to 26697, two 152F and three 7071..... |

BINDER (English)

| No. | Plate | Name |
|----------|-------|---|
| 121444 | 24061 | Feed Dog, 13 teeth (16 teeth to the inch) for 121445..... |
| 25721 | 24061 | Folder..... |
| 207F | 24061 | " Screw..... |
| 7071 | 24061 | " " Washer..... |
| 25983 | 24061 | Presser Foot..... |
| 26614 | ----- | Ribbon Tension Pin (bent)..... |
| 26615 | ----- | " " (straight) (4)..... |
| 26616 | ----- | " " Plate..... |
| 25722 | 24061 | Ribbon Tension complete, Nos. 26614, 26616 and four 26615..... |
| 190J | 24061 | Ribbon Tension Screw..... |
| 7071 | 24061 | " Washer..... |
| 121445XC | 24061 | Throat Plate for 121444..... |
| 26250 | 24061 | Binder complete, Nos. 190J, 207F, 25721, 25722, 25983, 121444, 121445XC and two 7071..... |

BINDER (English)

FOR CUT CLOTH

| No. | Plate | Name |
|---------|-------|---|
| 19474 | 22916 | Feed Dog, 14 teeth (16 teeth to the inch) for 26401..... |
| 25733 | 22916 | Folder, for 1/2 in. binding..... |
| 207F | 22916 | " Screw..... |
| 7071 | 22916 | " " Washer..... |
| 26400 | 22916 | Presser Foot..... |
| 26617 | ----- | Ribbon Tension Pin (bent)..... |
| 26486 | ----- | " " (straight) (7)..... |
| 26618 | ----- | " " Plate..... |
| 25734 | 22916 | Ribbon Tension complete, Nos. 26617, 26618 and seven 26486..... |
| 190J | 22916 | Ribbon Tension Screw (2)..... |
| 7071 | 22916 | " Washer (2)..... |
| 26401XC | 22916 | Throat Plate for 19474..... |
| 26402 | 22916 | Binder complete, Nos. 207F, 19474, 25733, 25734, 26400, 26401XC, two 190J and three 7071..... |

BINDER (English)

FOR HEAVY WORK

| No. | Plate | Name |
|--------|-------|--|
| 121446 | 24062 | Feed Dog (spiked teeth) 13 teeth (10 teeth to the inch) for 121447..... |
| 28334 | 24062 | Folder..... |

Library of: Diamond Needle

BINDERS

| No. | Plate | Name |
|----------|-------|---|
| 193J | 24062 | Folder Screw..... |
| 7071 | 24062 | " Washer..... |
| 28676 | 24062 | Presser Foot..... |
| 26617 | ----- | Ribbon Tension Pin (bent)..... |
| 26486 | ----- | " (straight) (8)..... |
| 28336 | ----- | " Plate..... |
| 28337 | 24062 | Ribbon Tension complete, Nos. 26617, 28336 and eight 26486..... |
| 233J | 24062 | Ribbon Tension Screw (2)..... |
| 121447XC | 24062 | Throat Plate for 121446..... |
| 28678 | 24062 | Binder complete, Nos. 193J, 7071, 28334, 28337, 28676, 121446, 121447XC and two 233J..... |

BINDER (English)

FOR CARPETS

THIS BINDER IS THE SAME AS NO. 28678

WITH THE FOLLOWING EXCEPTIONS:

| No. | Plate | Name |
|---------|-------|---|
| 12370 | 24062 | Feed Dog, 15 teeth (16 teeth to the inch) for 28775, in place of 121446..... |
| 28775XC | 24062 | Throat Plate for 12370, in place of 121447..... |
| 28776 | 24062 | Binder complete, Nos. 193J, 7071, 12370, 28334, 28337, 28676, 28775XC and two 233J..... |

BINDER (English)

FOR AWNINGS

| No. | Plate | Name |
|----------|-------|---|
| 120434 | 22916 | Feed Dog, 7 teeth (16 teeth to the inch) for 120436..... |
| 120433 | 22916 | Folder..... |
| 207F | 22916 | " Screw..... |
| 7071 | 22916 | " Washer..... |
| 120435 | 22916 | Presser Foot..... |
| 26614 | ----- | Ribbon Tension Pin (bent)..... |
| 26615 | ----- | " (straight) (4)..... |
| 26616 | ----- | " Plate..... |
| 25722 | 22916 | Ribbon Tension complete, Nos. 26614, 26616 and four 26615..... |
| 190J | 22916 | Ribbon Tension Screw..... |
| 7071 | 22916 | " Washer..... |
| 120436XC | 22916 | Throat Plate for 120434..... |
| 120437 | 22916 | Binder complete, Nos. 190J, 207F, 25722, 120433 to 120436XC and two 7071..... |

BINDERS

BINDER (English)

FOR SLIP COVERS AND GENERAL WORK

THIS BINDER IS THE SAME AS NO. 120437

WITH THE FOLLOWING EXCEPTION:

| No. | Plate | Name |
|--------|-------|---|
| 120458 | 22918 | Presser Foot, in place of 120435..... |
| 120459 | 22918 | Binder complete, Nos. 190J, 207F, 25722, 120433, 120434, 120436XC, 120458 and two 7071..... |

BINDER (English)

| No. | Plate | Name |
|----------|-------|--|
| 120124 | 22918 | Feed Dog, 6 teeth (16 teeth to the inch) for 120126..... |
| 120120 | 22918 | Folder with 665J and 120121..... |
| 120121 | 22918 | " Guide..... |
| 665J | 22918 | " Screw..... |
| 220J | 22918 | " Screw..... |
| 7806 | 22918 | " Washer..... |
| 120125 | 22918 | Presser Foot..... |
| 26614 | ----- | Ribbon Tension Pin (bent)..... |
| 26615 | ----- | " (straight) (6)..... |
| 120122 | ----- | " Plate..... |
| 120123 | 22918 | Ribbon Tension complete, Nos. 26614, 120122 and six 26615..... |
| 190J | 22918 | Ribbon Tension Screw (2)..... |
| 7071 | 22918 | " Washer (2)..... |
| 120126XC | 22918 | Throat Plate for 120124..... |
| 120127 | 22918 | Binder complete, Nos. 220J, 7806, 120120, 120123 to 120126XC and two each 190J and 7071..... |

BINDER (Transverse) ON SHANK

FOR FOLDED OR UNFOLDED BIAS BINDING

(WITH TAPE REEL)

FOR GENERAL WORK

FOR 3/4 INCH, 7/8 INCH AND 1 INCH TAPE

| No. | Plate | Name |
|--------|-------|--|
| 121167 | 23249 | Binder Folder on Shank..... |
| 43525 | 23249 | " Steady Pin..... |
| 51097J | 23249 | " Thumb Screw..... |
| 3146 | 23249 | " Washer..... |
| 121397 | 23249 | Feed Dog, 18 teeth (16 teeth to the inch) for 121398..... |
| 121169 | 23249 | Presser Foot..... |
| 121412 | 23249 | Tape Reel Arm with 8879, 23263 and 120537..... |
| 23263 | 23249 | Tape Reel Arm Steady Pin..... |

BINDERS

| No. | Plate | Name |
|----------|-------|---|
| 51097J | 23249 | Tape Reel Arm Thumb Screw..... |
| 120536 | 23249 | " " Disc with 120538 and 120539 |
| 120537 | 23249 | " " " Pin..... |
| 8879 | 23249 | " " " Washer (cloth).... |
| 120538 | 23249 | " " " Stud (wood)..... |
| 120539 | 23249 | " " " Sleeve (brass)... |
| 121398XC | 23249 | Throat Plate with 43525, for 121397.. |
| 121168 | 23249 | Binder (transverse) on Shank complete, for 3/4 in., 7/8 in. and 1 in. tape, Nos. 3146, 120536, 121167, 121169, 121397, 121398XC, 121412 and two 51097J..... |

BINDERS ON SHANK

| No. | Plate | Name |
|---------|-------|---|
| 25705 | 22922 | Binder on Shank, for 3/8 in. tape.... |
| 25706 | 22922 | " " " " 7/16 in. tape... |
| 25707 | 22922 | " " " " 1/2 in. tape.... |
| 25708 | 22922 | " " " " 9/16 in. tape.... |
| 25709 | 22922 | " " " " 5/8 in. tape.... |
| 25710 | 22922 | " " " " 11/16 in. tape.. |
| 25711 | 22922 | " " " " 3/4 in. tape.... |
| 25712 | 22922 | " " " " 13/16 in. tape.. |
| 25713 | 22922 | " " " " 7/8 in. tape.... |
| 25714 | 22922 | " " " " 15/16 in. tape.... |
| 25715 | 22922 | " " " " 1 in. tape..... |
| 28632 | 22922 | " " " " to turn edges under. |
| 28635 | 22922 | " " " " for 7/8 in. binding. |
| 28693 | 22922 | " " " " for binding the arm holes in cotton garments..... |
| 35066 | 22943 | Presser Foot, for 28693..... |
| 28970 | 24061 | Binder on Shank, for bias binding, to turn both edges under..... |
| 35082 | 24061 | Binder on Shank, for raw edge bias binding, for wrappers, etc. |
| 35208 | 24063 | Binder on Shank, to turn in both edges, for bias or straight bind- ing, for skirts, wrappers, shirt waists, etc..... |
| 26603 | 24063 | Feed Dog, 20 teeth (16 teeth to the inch) for 26605, for 35208..... |
| 52055 | 24063 | Presser Foot, for 35208..... |
| 26605XC | 24063 | Throat Plate, large needle hole, for 26603, for 35208..... |
| 7298 | 24064 | Presser Foot Hinge Pin..... |
| 120143 | 24064 | " " Plate..... |
| 19335 | 24064 | " " Shank..... |
| 120144 | 24064 | Presser Foot (hinged) complete for 35208, Nos. 7298, 19335 and 120143..... |
| 35226 | 24064 | Binder on Shank, for mattress work... |
| 26603 | 24064 | Feed Dog, 20 teeth (16 teeth to the inch) for 26605, for 35226..... |
| 121446 | 24064 | Feed Dog, 13 teeth (10 teeth to the inch) for 26605, for 35226..... |
| 35231 | 24064 | Presser Foot, for 35226..... |
| 26605XC | 24064 | Throat Plate, large needle hole, for 26603 and 121446, for 35226..... |
| 35325 | 24064 | Binder on Shank, to turn top edge only, for shirt bosoms, skirt trimmings, etc..... |

BINDERS

| No. | Plate | Name |
|---------|-------|--|
| 19474 | 24064 | Feed Dog, 14 teeth (16 teeth to the inch) for 24572, for 35325..... |
| 35066 | 24064 | Presser Foot for 35325..... |
| 24572XC | 24064 | Throat Plate, small needle hole, for 19474, for 35325..... |
| 7298 | 24064 | Presser Foot Hinge Pin..... |
| 120143 | 24064 | " " Plate..... |
| 19335 | 24064 | " " Shank..... |
| 120144 | 24064 | Presser Foot (hinged) complete for 35325, Nos. 7298, 19335 and 120143 |

BINDERS (Horn) ON SHANK

| No. | Plate | Name |
|-------|-------|--|
| 28619 | 24065 | Binder (horn) on Shank..... |
| 28620 | 24065 | Presser Foot for 28619..... |
| 35062 | 24065 | Binder (horn) on Shank, for 7/8 in. 1 1/2 in. bindings, for tape for mattresses..... |
| 35063 | 24065 | Presser Foot for 35062..... |

BOBBIN WINDERS

BOBBIN WINDER

FOR 4370

| No. | Plate | Name |
|-------|-------|--|
| 15072 | 22335 | Bobbin Position Pin..... |
| 12168 | 22335 | Bracket..... |
| 692D | 22335 | " Screw..... |
| 12169 | 22335 | Frame..... |
| 12171 | 22335 | Frame complete, Nos. 333D, 5960, 5961, 5963, 12169 and 15077..... |
| 32D | 22335 | Frame Hinge Screw..... |
| 5960 | 22335 | Friction Wheel (leather)..... |
| 5961 | 22335 | " " Washer..... |
| 333D | 22335 | " " Screw..... |
| 15077 | 22335 | Spindle with 15072..... |
| 5963 | 22335 | " Flange..... |
| 12170 | 22335 | Spring..... |
| 180F | 22335 | " Screw..... |
| 12172 | 22335 | Bobbin Winder complete, Nos. 32D, 180F, 12168, 12170 and 12171..... |

BOBBIN WINDER

FOR 2135 AND 2862

THIS BOBBIN WINDER IS THE SAME AS NO. 12172

WITH THE FOLLOWING EXCEPTIONS:

| No. | Plate | Name |
|-------|-------|--|
| 12201 | 22335 | Frame complete, Nos. 333D, 5960, 5961, 5963, 12169 and 15077, in place of 12171..... |

BOBBIN WINDERS

| No. | Plate | Name |
|-------|-------|---|
| 12202 | 22335 | Bobbin Winder complete, Nos. 32D, 180F, 12168, 12170 and 12201..... |

BOBBIN WINDER

FOR 12358

THIS BOBBIN WINDER IS THE SAME AS NO. 12172

WITH THE FOLLOWING EXCEPTIONS:

| No. | Plate | Name |
|-------|-------|--|
| 20307 | 22335 | Frame, in place of 12169..... |
| 20308 | 22335 | Frame complete, Nos. 333D, 5960, 5961, 5963, 15077 and 20307, in place of 12171..... |
| 20309 | 22335 | Bobbin Winder complete, Nos. 32D, 180F, 12168, 12170 and 20308..... |

BOBBIN WINDER

(SWINGING AUTOMATIC, RIGHT HAND)

FOR 31-15 MACHINE

| No. | Plate | Name |
|--------|-------|--|
| 27540 | 22333 | Base..... |
| 15072 | 22333 | Bobbin Position Pin..... |
| 27302 | 22333 | Frame..... |
| 50356D | 22333 | " Hinge Screw..... |
| 1620J | 22333 | " " Nut..... |
| 27303 | ----- | " Spring..... |
| 27541 | 22333 | Pulley..... |
| 27538 | 22333 | Spindle Collar with 15072 and 41828.. |
| 41828 | 22333 | " Pin..... |
| 27306 | 22333 | Spool Pin..... |
| 11241 | 22333 | " Washer (cloth)..... |
| 27307 | 22333 | " Stand..... |
| 27308 | 22333 | Spool Stand complete, Nos. 418E, 1562J, 2106, 10141, 11241, 27306, 27307 and two each 2455 and wood screws 1 in. No. 10..... |
| 27312 | 22333 | Stop Latch..... |
| 35D | 22333 | " Hinge Screw..... |
| 2455 | 22333 | Tension Disc (2)..... |
| 1562J | 22333 | " Regulating Thumb Nut..... |
| 418E | 22333 | " Screw Stud..... |
| 10141 | 22333 | " Spring..... |
| 2106 | 22333 | " Thread Guide..... |
| 27647 | 22333 | Bobbin Winder, Nos. 35D, 1620J, 27302, 27303, 27312, 27538, 27540, 27541, 50356D and two wood screws 1 in. No. 7..... |
| 27544 | 22333 | Bobbin Winder (swinging automatic, right hand) complete, Nos. 27308 and 27647..... |

BOBBIN WINDER

(SWINGING AUTOMATIC, RIGHT HAND)

FOR 31-20 MACHINE

THIS BOBBIN BINDER IS THE SAME AS NO. 27544

WITH THE FOLLOWING EXCEPTIONS:

| No. | Plate | Name |
|-------|-------|--|
| 27567 | 24066 | Stop Latch, in place of 27312..... |
| 27875 | 24066 | Bobbin Winder, Nos. 35D, 1620J, 27302, 27303, 27538, 27540, 27541, 27587, 50356D and two wood screws 1 in. No. 7, in place of 27647..... |
| 27876 | 24066 | Bobbin Winder (swinging automatic, right hand) complete, Nos. 27308 and 27875..... |

BOBBIN WINDER

(SWINGING AUTOMATIC, RIGHT HAND)

FOR POWER TABLE

FOR ROUND BELT

| No. | Plate | Name |
|---------|-------|---|
| 259428 | 23253 | Brake (leather)..... |
| 259429 | 23253 | " Clamp..... |
| 200113F | 23253 | " Screw..... |
| 259430 | 23253 | Bobbin Winder and Tension Bracket Base..... |
| 225453 | 23253 | Frame with 202277 and 225438..... |
| 225454 | 23253 | " Hinge Pin..... |
| 202277 | 23253 | " Oil Packing (wick)..... |
| 225438 | 23253 | " Well Cap..... |
| 225455 | 23253 | " Spring..... |
| 225456 | 23253 | " Plunger..... |
| 225368 | 23253 | Pulley with 200380C..... |
| 200380C | 23253 | " Set Screw..... |
| 225381 | 23253 | Spindle..... |
| 225444 | 23253 | Stop Latch..... |
| 200056E | 23253 | " " Screw..... |
| 225458 | 23253 | " " Thumb Lever..... |
| 225459 | 23253 | " " " Hinge Stud.... |
| 225459 | 23253 | " " " Joint Stud.... |
| 202478 | 23253 | " " Trip Lever..... |
| 200299H | 23253 | " " " Hinge Screw.... |
| 225461 | 23253 | Tension Bracket with 201499B..... |
| 200082D | 23253 | " " Screw..... |
| 228026 | 23253 | " " Washer..... |
| 2102 | 23253 | " Disc (2)..... |
| 13710 | 23253 | " Spring..... |
| 201499B | 23253 | " Stud..... |
| 201572B | 23253 | " " Thumb Nut..... |
| 225462 | 23253 | Bobbin Winder Tension Bracket complete, Nos. 13710, 201572B, 225461 and two 2102..... |

BOBBIN WINDERS

| No. | Plate | Name |
|--------|-------|--|
| 259431 | 23253 | Bobbin Winder complete for round belt, Nos. 200056E, 200082D, 200113F, 200299H, 202478, 225368, 225381, 225444, 225453 to 225456, 225458, 225462, 228026, 259428 to 259430 and two each 225459 and wood screws 3/4 in. No. 12 R.H.B..... |

BOBBIN WINDER

(SWINGING AUTOMATIC, RIGHT HAND)

FOR POWER TABLE

FOR "V" BELT

THIS BOBBIN BINDER IS THE SAME AS NO. 259431

WITH THE FOLLOWING EXCEPTIONS:

| No. | Plate | Name |
|--------|-------|---|
| 259461 | 23253 | Pulley with 200380C, in place of 225368..... |
| 259462 | 23253 | Bobbin Winder complete, for "v" belt, Nos. 200056E, 200082D, 200113F, 200299H, 202478, 225381, 225444, 225453 to 225456, 225458, 225462, 228026, 259428 to 259430, 259461 and two each 225459 and wood screws 3/4 in. No. 12 R.H.B..... |

CORDERS

WHEN ORDERING CORDERS OR PARTS THEREOF, STATE SIZE

OR NUMBER OF CORDS TO THE INCH

CORDER (Adjustable)

FOR SHORT TURNS ON CUSHIONS

| No. | Plate | Name |
|---------|-------|---|
| 26795 | 24063 | Cord Guide..... |
| 26796 | 24063 | " " Arm..... |
| 1044D | 24063 | " " Hinge Screw..... |
| 120208 | 24063 | " " Bed with 457AL..... |
| 457AL | 24063 | " " Leveling Screw..... |
| 190J | 24063 | " " Screw..... |
| 120207 | 24063 | Corder complete, Nos. 190J, 1044D, 26795, 26796 and 120206..... |
| 121446 | 24063 | Feed Dog (spiked teeth) 13 teeth (10 teeth to the inch) for 26605XC... |
| 120208 | 24063 | Presser Foot (grooved)..... |
| 26605XC | 24063 | Throat Plate, large needle hole, for 121446..... |

CORDER (Adjustable)

FOR CUSHIONS

| No. | Plate | Name |
|-------|-------|---|
| 26795 | 24067 | Cord Guide..... |
| 26796 | 24067 | " " Arm..... |
| 1044D | 24067 | " " Hinge Screw..... |
| 28644 | 24067 | " " Bed..... |
| 190J | 24067 | " " Screw..... |
| 28645 | 24067 | Corder complete, Nos. 190J, 1044D, 26795, 26796 and 28644..... |
| 35562 | 24067 | Presser Foot for 28645..... |

EDGE FOLDERS ON SHANK

| No. | Plate | Name |
|---------|-------|---|
| 28649 | 24068 | Edge Folder on Shank..... |
| 35175 | 24069 | Edge Folder on Shank..... |
| 12450 | 24069 | Feed Dog, 11 teeth (18 teeth to the inch) for 12451 and 12464, for 35175..... |
| 35176 | 24069 | Presser Foot, for 35175..... |
| 12464XC | ----- | Throat Plate, large needle hole, for 12450, for 35175..... |
| 12451XC | 24069 | Throat Plate, small needle hole, for 12450, for 35175..... |

FEED DOGS

FOR 31-15 MACHINE

| No. | Plate | Name |
|-------|-------|---|
| 12455 | 24070 | Feed Dog, 13 teeth (14 teeth to the inch) for shirt work, beveled for hemmer, for 12456 and 20398..... |
| 12468 | 24070 | Feed Dog, 16 teeth (16 teeth to the inch) for shirt work, beveled for hemmer, for 139616 and 139617.... |
| 20471 | 24070 | Feed Dog, 22 teeth (22 teeth to the inch) for shirt work, beveled for hemmer, for 139616 and 139617.... |

FOR 31-20 MACHINE

| No. | Plate | Name |
|-------|-------|--|
| 20147 | 24060 | Feed Dog, 12 teeth (14 teeth to the inch) for 19412 and 19413..... |
| 44156 | 24060 | Feed Dog, 24 teeth (24 teeth to the inch) for 19418 and 19419..... |
| 44177 | 24060 | Feed Dog, 19 teeth (22 teeth to the inch) for 19412 and 19413..... |
| 20158 | 24060 | Feed Dog, 16 teeth (16 teeth to the inch) for shirt work, for 19418 and 19419..... |

FOR 31-15 AND 31-20 MACHINES

| No. | Plate | Name |
|-------|-------|---|
| 12481 | 24067 | Feed Dog, 18 teeth (16 teeth to the inch) for 12482 and 12483..... |
| 43978 | 24067 | Feed Dog, 24 teeth (22 teeth to the inch) for 12482 and 12483..... |
| 12450 | 24067 | Feed Dog, 11 teeth (18 teeth to the inch) for cloth, for 12451 and 12464..... |
| 44253 | 24067 | Feed Dog, 16 teeth (16 teeth to the inch) for cloth, for 44255 and 44256..... |
| 20348 | 24067 | Feed Dog, 22 teeth (36 teeth to the inch) for chiffon, for 12451 and 12464..... |

FINGER GUARDS

| No. | Plate | Name |
|--------|-------|--|
| 36818 | 24071 | Finger Guard..... |
| 36819 | 24071 | " " Friction Washer..... |
| 50316J | 24071 | " " Hinge Screw..... |
| 36820 | 24071 | " " Holder with 196J..... |
| 196J | 24071 | " " Clamping Screw... |
| 36821 | 24071 | Finger Guard complete, Nos. 36818 to 36820 and 50316J..... |
| 120496 | 24071 | Finger Guard..... |
| 120497 | 24071 | " " Holder with 50302J..... |
| 50302J | 24071 | " " Set Screw..... |
| 236J | 24071 | " " Screw..... |
| 120498 | 24071 | Finger Guard complete, Nos. 236J, 120496 and 120497..... |
| 120856 | 24071 | Finger Guard..... |
| 120858 | 24071 | " " Holder with 50302J..... |
| 50302J | 24071 | " " Screw..... |
| 236J | 24071 | " " Screw (2)..... |
| 120859 | 24071 | Finger Guard complete, Nos. 120856, 120858 and two 236J..... |
| 120857 | 24071 | Finger Guard..... |
| 120858 | 24071 | " " Holder with 50302J..... |
| 50302J | 24071 | " " Screw..... |
| 236J | 24071 | " " Screw (2)..... |
| 120860 | 24071 | Finger Guard complete, Nos. 120857, 120858 and two 236J..... |
| 121334 | 24071 | Finger Guard..... |
| 120497 | 24071 | " " Holder with 50302J..... |
| 50302J | 24071 | " " Set Screw..... |
| 236J | 24071 | " " Screw..... |
| 121335 | 24071 | Finger Guard complete, Nos. 236J, 120497 and 121334..... |
| 121618 | 24071 | Finger Guard..... |
| 120858 | 24071 | " " Holder with 50302J..... |
| 50302J | 24071 | " " Screw..... |
| 236J | 24071 | " " Screw (2)..... |
| 121619 | 24071 | Finger Guard complete, when machine is fitted with a Roller Presser, Nos. 120858, 121618 and two 236J. |

GUIDES

| No. | Plate | Name |
|--------|-------|---|
| 25866 | 22337 | Guide, for throat plate flush with bed..... |
| 25874 | 22337 | Guide, for throat plate raised above bed..... |
| 25873 | 22337 | Guide (combination)..... |
| 28658 | 22337 | " (roller) with 1852..... |
| 1852 | 22337 | " Roller..... |
| 284W | 22337 | " Thumb Screw (long)..... |
| 50190W | 24063 | " " " (short)..... |
| 3146 | 22337 | " " " Washer for 25873... |

GUIDE (Adjustable, Hinged)

| | | |
|--------|-------|---|
| 28971 | 22337 | Guide..... |
| 28972 | 22337 | " " Holder..... |
| 35610 | 22337 | " " Friction Washer..... |
| 940W | 22337 | " " Hinge Screw..... |
| 120427 | 22337 | " " Shank..... |
| 51224W | 22337 | " " Thumb Screw..... |
| 7071 | 22337 | " " Washer..... |
| 120428 | 22337 | Guide (adjustable, hinged) complete, Nos. 940W, 7071, 28971, 28972, 35610, 51224W and 120427..... |

HEMMERS

HEMMER WITH LEVER FOR OPENING THE FOLDER AND RELEASING THE HEM, SO THAT IT CAN BE FINISHED WITHOUT REMOVING THE HEMMER FROM THE MACHINE. FOR SKIRTS, OVERALLS OR SIMILAR CLOSED ARTICLES.

| No. | Plate | Name |
|-------|-------|--|
| 28679 | 24072 | Hemmer Bed with 28681..... |
| 28680 | ---- | " " Folder (left)..... |
| 233J | 24072 | " " " Screw..... |
| 2362 | 24072 | " " " Steady Pin..... |
| 28681 | ---- | " " (right)..... |
| 28685 | 24072 | Hemmer Folder Disengaging Lever..... |
| 94D | 24072 | " " Hinge Screw..... |
| 2362 | 24072 | Hemmer Folder Disengaging Lever Stop Pin..... |
| 28682 | 24072 | Hemmer Slide with 28687 and two each 2362 and 12152..... |
| 28683 | 24072 | Hemmer Slide Cap (left)..... |
| 28684 | 24072 | " " (right)..... |
| 207F | 24072 | " " " Screw (back) (2)... |
| 233J | 24072 | " " " (front) (2)... |
| 28686 | 24072 | " " Spring..... |
| 28687 | 24072 | " " " Cover..... |

HEMMERS

| No. | Plate | Name |
|-------|-------|---|
| 12152 | 24072 | Hemmer Slide Spring Cover Rivet (2).. |
| 28688 | 24072 | Hemmer complete, Nos. 94D, 28679, 28680, 28682 to 28686, two 207F and 233J..... |
| 190J | 24072 | Hemmer Screw..... |
| 18055 | 24072 | Presser Foot Hinge Pin..... |
| 28689 | 24072 | " " Plate..... |
| 28690 | 24072 | " " Shank..... |
| 26231 | 24072 | " " Spring..... |
| 28691 | 24072 | Presser Foot (spring hinged) complete, Nos. 18055, 26231, 28689 and 28690.. |

HEMMERS (Foot)

| No. | Plate | Name |
|----------|-------|---|
| 120938 | 24073 | Hemmer (foot) for 3/32 in. hem..... |
| 120803 | 24073 | " " " 1/8 in. hem..... |
| 120804 | 24073 | " " " 5/32 in. hem..... |
| 120805 | 24073 | " " " 3/16 in. hem..... |
| 36122 | 24073 | " " " 7/32 in. hem..... |
| 120806 | 24073 | " " " 1/4 in. hem..... |
| 120807 | 24073 | " " " 5/16 in. hem..... |
| 121761 | 24073 | " " " 1/8 in. hem, for hemming shirts..... |
| 121762 | 24073 | Hemmer (foot) for 5/32 in. hem, for hemming shirts..... |
| 121760 | 24073 | Hemmer (foot) for 1/8 in. hem for hemming shirts, for 121758 and 121759..... |
| 121758 | 24073 | Feed Dog, 13 teeth (16 teeth to the inch) for 121759, for 121760..... |
| 121759XC | 24073 | Throat Plate, small needle hole, for 121758, for 121760..... |
| 35710 | 24073 | Hemmer (foot) for 3/32 in. hem, with guide on bottom to right of needle hole..... |
| 35682 | 24073 | Hemmer (foot) for 1/8 in. hem, with guide on bottom to right of needle hole..... |
| 36524 | 24073 | Hemmer (foot) for 5/32 in. hem, with guide on bottom to right of needle hole..... |
| 35997 | 24073 | Hemmer (foot) for 5/16 in. hem, with guide on bottom to right of needle hole..... |
| 36309 | 24073 | Hemmer (foot) for 7/32 in. hem, with guide on bottom to right of needle hole..... |
| 36072 | 24073 | Hemmer (foot) for 1/4 in. hem, with guide on bottom to right of needle hole..... |
| 120898 | 24073 | Hemmer (foot) for 1/16 in. to 1/8 in. hem, for China silk, etc..... |
| 120911 | 24073 | Hemmer (foot with shell hemmer) for 5/32 in. to 1/4 in. hem, for China silk, etc..... |
| 36413 | 24073 | Hemmer (foot) plain bottom, for 1/16 in. hem..... |
| 36414 | 24073 | Hemmer (foot) plain bottom for 3/32 in. hem..... |
| 36480 | 24073 | Hemmer (foot) plain bottom for 5/32 in. hem..... |

HEMMERS

| No. | Plate | Name |
|---------|-------|--|
| 36416 | 24073 | Hemmer (foot) plain bottom, for 3/16 in. hem..... |
| 120837 | 24073 | Hemmer (foot) plain bottom, for 1/8 in. hem, slotted for lace..... |
| 121801 | 24064 | Hemmer (foot) for 1/8 in. hem, for hemming shirts for 44252, 44256, 52031 and 52032..... |
| 121802 | 24064 | Hemmer (foot) for 5/32 in. hem, for hemming shirts, for 44252, 44256, 52031 and 52032..... |
| 121803 | 24064 | Hemmer (foot) wide folder, for 3/16 in. hem, for hemming shirts, for 44252, 44256, 52031 and 52032.... |
| 121804 | 24064 | Hemmer (foot) narrow folder, for 3/16 in. hem, for hemming shirts, for 44252, 44256, 52031 and 52032.... |
| 121848 | 24064 | Hemmer (foot) for 3/32 in. hem, for hemming shirts, for 44252, 44256, 52031 and 52032..... |
| 121798 | 24064 | Hemmer (foot) for 1/8 in. hem, for hemming shirts, for 44252, 44256, 52031 and 52032..... |
| 52031 | 24064 | Feed Dog, 19 teeth (22 teeth to the inch) for 52032, for 121801 to 121804, 121798 and 121848..... |
| 52032XC | 24064 | Throat Plate, large needle hole, for 52031, for 121801 to 121804, 121798 and 121848..... |

HEMMERS ON SHANK

| No. | Plate | Name |
|---------|-------|---|
| 26652 | ----- | Hemmer, for 3/32 in. hem..... |
| 26654 | ----- | " Rivet..... |
| 26653 | ----- | " Shank..... |
| 26655 | 24074 | Hemmer on Shank complete, Nos. 26652 to 26654..... |
| 12450 | 24074 | Feed Dog, 11 teeth (18 teeth to the inch) for 12451 and 12464, for 26655..... |
| 26656 | 24074 | Presser Foot, for 26655..... |
| 12464XC | 24067 | Throat Plate, large needle hole, for 12450, for 26655..... |
| 12451XC | 24074 | Throat Plate, small needle hole, for 12450, for 26655..... |
| 26659 | ----- | Hemmer..... |
| 26660 | 24074 | Hemmer on Shank complete, for 3/32 in. hem, for umbrella work, Nos. 26653, 26654 and 26659..... |
| 26661 | ----- | Hemmer (wide)..... |
| 26662 | 24074 | Hemmer on Shank complete, Nos. 26653, 26654 and 26661..... |
| 26663 | ----- | Hemmer..... |
| 26664 | 24074 | Hemmer on Shank complete, for raw edge silk, Nos. 26653, 26654 and 26663..... |
| 26665 | ----- | Hemmer, for 1/8 in. hem..... |
| 26666 | 24074 | Hemmer on Shank complete, Nos. 26653, 26654 and 26665..... |
| 121843 | ----- | Hemmer..... |
| 28711 | 24065 | Hemmer on Shank with 121843, for 1/8 in. to 1/2 in. hem, for towels... |

Copyright © 1994 by Diamond Needle Co.

HEMMERS

| No. | Plate | Name |
|---------|-------|--|
| 120338 | 24065 | Hemmer..... |
| 1443J | 24065 | " Screw (2)..... |
| 120339 | 24065 | " Shank..... |
| 120340 | 24065 | Hemmer (adjustable) on Shank, complete, for 1/2 in. to 2 in. hem, Nos. 120338, 120339 and two 1443J..... |
| 28627 | 24072 | Hemmer on Shank, for 1/8 in. to 5/8 in. gauges, for Marseilles quilts..... |
| 28628 | 24072 | Presser Foot for 28627..... |
| 35241 | 22943 | Hemmer on Shank, for Canton flannel, etc..... |
| 19474 | 22943 | Feed Dog, 14 teeth (16 teeth to the inch) for 19475, for 35241..... |
| 35066 | 22943 | Presser Foot for 35241..... |
| 7298 | 22943 | " " Hinge Pin..... |
| 120143 | 22943 | " " Plate..... |
| 19335 | 22943 | " " Shank..... |
| 120144 | 22943 | Presser Foot (hinged) complete, for 35241, Nos. 7298, 19335 and 120143..... |
| 19475XC | 22943 | Throat Plate, large needle hole, for 19474, for 35241..... |
| 35863 | 22943 | Hemmer on Shank, for canvas work..... |
| 26603 | 22943 | Feed Dog, 20 teeth (16 teeth to the inch) for 26605, for 35863..... |
| 35066 | 22943 | Presser Foot, for 35863..... |
| 26605XC | 22943 | Throat Plate, large needle hole, for 26603, for 35863..... |
| 28650 | 24065 | Hemmer on Shank, for hemming heavy Canton Flannel..... |
| 28653 | 24074 | Hemmer on Shank, for 2 9/16 in. to 3 in. hem..... |
| 28710 | 24068 | Hemmer on Shank, for 1/8 in. hem..... |
| 28721 | 24068 | " " 1 1/4 in. to 2 in. hem..... |
| 35475 | 24068 | Hemmer on Shank, for 5/32 in. hem, with right hand lower guide, for lace..... |
| 36776 | 24065 | Hemmer on Shank, for 2 1/4 in. to 3 in. hem..... |

HEMSTITCHER

| No. | Plate | Name |
|-------|-------|------------------|
| 28671 | 24067 | Hemstitcher..... |

KNEE LIFTER PARTS

| No. | Plate | Name |
|-------|-------|---|
| 5596 | 22305 | Bell Crank..... |
| 56848 | ----- | " " 5596 with 5599 and 5601..... |
| 5599 | 22305 | " " Bracket..... |
| 178E | 22305 | " " Screw (2)..... |
| 5601 | 22305 | " " Hinge Pin..... |
| 5735 | 22305 | " " Spring..... |
| 5598 | 22305 | Bell Crank complete, Nos. 5735 and 56848..... |
| 12237 | 22305 | Lifting Lever with 448AL..... |
| 12415 | 22305 | " " Connecting Rod..... |
| 12416 | 22305 | " " " Joint..... |

KNEE LIFTER PARTS

| No. | Plate | Name |
|---------|-------|--|
| 76D | 22305 | Lifting Lever Connecting Rod Joint Hinge Screw..... |
| 1521J | 22305 | Lifting Lever Connecting Rod Lock Nut..... |
| 802D | 22305 | " " Hinge Screw..... |
| 12241 | 22306 | " " Link..... |
| 766E | 22306 | " " Hinge Screw..... |
| 12240 | 22305 | " " Pin..... |
| 448AL | 22305 | " " Set Screw..... |
| 2763 | 22338 | Rock Shaft..... |
| 139633 | ----- | " 2763 with 2770, 6337 and 139623..... |
| 127312 | 22338 | Rock Shaft Hanger (back) with two wood screws 1 in. No. 10 F.H., for 139624..... |
| 12242 | 22338 | Rock Shaft Hanger (front) with two wood screws 1 in. No. 10 F.H., for 139624..... |
| 7539 | 22338 | Rock Shaft Hanger with two wood screws 1 in. No. 10 F.H., for 139625 (2)..... |
| 2765 | 22338 | Rock Shaft Knee Arm..... |
| 2766 | 22338 | " " " Hub with 356C..... |
| 356C | 22338 | " " " Set Screw..... |
| 2768 | ----- | Rock Shaft Knee Arm complete, Nos. 2765 to 2767..... |
| 2767 | 22338 | Rock Shaft Knee Plate with 356C..... |
| 356C | 22338 | " " Set Screw..... |
| 6337 | 22338 | " " Lifting Bracket with two 356C..... |
| 139623 | 22338 | Rock Shaft Lifting Bracket Hook..... |
| 356C | 22338 | " " Set Screw..... |
| 356C | 22338 | Rock Shaft Lifting Bracket Set Screw..... |
| 2770 | 22338 | " " Stop Dog with 140219C..... |
| 140219C | 22338 | " " Set Screw..... |
| 139624 | 22338 | Rock Shaft complete, for 139626, Nos. 2768, 12242, 127312 and 139633..... |
| 139625 | 22338 | Rock Shaft complete, for 139627, Nos. 2768, 139633 and two 7539..... |
| 139626 | ----- | Knee Lifter complete (power table), Nos. 76D, 766E, 802D, 1521J, 5598, 12237, 12240, 12241, 12415, 12416, 139624 and two 178E..... |
| 139627 | ----- | Knee Lifter complete (individual motor and foot power stands) Nos. 76D, 766E, 802D, 1521J, 5598, 12237, 12240, 12241, 12415, 12416, 139625 and two 178E..... |

LAP SEAM FELLER

| No. | Plate | Name |
|-------|-------|--|
| 28673 | 24072 | Lap Seam Feller (right hand) on Shank, to fold top only..... |
| 28674 | 24072 | Lap Seam Guide on Shank..... |

2930-4

For the full range of products visit our website at www.metcamp.com

MACHINE BASE

| No. | Plate | Name |
|-------|-------|--|
| 19219 | 22309 | Bed Frame Cushion (leather) (4)..... |
| 158C | 22309 | " " " Screw (8)..... |
| 19220 | 22309 | " " " Spring (4)..... |
| 19226 | 22309 | " " " Hinge Connection (2)..... |
| 19398 | ----- | " " " " 19226 with 211E and 19397 (2)..... |
| 19397 | 22309 | Bed Frame Hinge Connection Cap (2)... |
| 211E | 22309 | " " " " Screw (2)..... |
| 16555 | 22309 | Bed Frame Hinge Plate (2)..... |
| 14010 | 22309 | " " " " Rivet (6)..... |
| 20067 | 22309 | Bed Frame with two each 16555, 19398, four each 19219, 19220, six each 14010, wood screws 1 1/4 in. No. 12 and eight 158C..... |

PIPING ATTACHMENT

| No. | Plate | Name |
|---------|-------|--|
| 44253 | 24061 | Feed Dog, 16 teeth (16 teeth to the inch) for cloth, for 44255 and 44256..... |
| 120977 | 24061 | Piping Attachment..... |
| 1443J | 24061 | " " " Screw..... |
| 35245 | 24061 | Piping Attachment complete, for piping house dresses, Nos. 1443J and 120977..... |
| 52056 | 24061 | Presser Foot..... |
| 44256XC | 24061 | Throat Plate, large needle hole, for 44253..... |
| 44255XC | ----- | Throat Plate, small needle hole, for 44253..... |

PRESSER FEET

| No. | Plate | Name |
|-------|-------|--|
| 12258 | 24075 | Presser Foot (wide) for 44252 and 44253..... |
| 12335 | 24075 | Presser Foot (narrow) for 44252 and 44253..... |
| 12142 | 24075 | Presser Foot for 12455, 12468, 12481, 20158, 20471, 24978 and 44156..... |
| 12144 | 24075 | Presser Foot for 12455, 12468, 12481, 20147, 20158, 20471, 43978 and 44156..... |
| 12259 | 24075 | Presser Foot, for 12455, 12468, 12481, 20158, 20471, 43978 and 44156..... |
| 12260 | 24075 | Presser Foot, for 12450, 12455, 12468, 12481, 20147, 20158, 20348, 20471, 43978 and 44156..... |
| 12261 | 24075 | Presser Foot, for 12455, 12468, 12481, 20158, 20471, 43978 and 44156..... |
| 12474 | 24075 | Presser Foot, for 12455, 12468, 12481, 20158, 20471, 43978 and 44156..... |
| 20020 | 24075 | Presser Foot, for 12455, 12468, 12481, 20158, 20471, 43978 and 44156..... |

| No. | Plate | Name |
|--------|-------|---|
| 20342 | 24075 | Presser Foot, for 12450, 12455, 12468, 12481, 20158, 20348, 20471, 43978 and 44156..... |
| 20343 | 24075 | Presser Foot with guide on bottom to right of needle hole for 12450, 12455, 12468, 12481, 20158, 20348, 20471, 43978, 44156, 44252 and 44253..... |
| 20458 | 24075 | Presser Foot, for 12455, 12468, 12481, 20158, 20471, 43978 and 44156..... |
| 121941 | 24075 | Presser Foot for No. 5 Slide Fastener, for stitching at right or left of slide fastener, for heavy woolen suiting and dresses, for 12455, 12468, 12481, 20158, 20471, 43978 and 44156..... |
| 7298 | 24075 | Presser Foot Hinge Pin..... |
| 19334 | 24075 | " " " Plate..... |
| 19335 | 24075 | " " " Shank..... |
| 19336 | 24075 | Presser Foot (hinged) complete, for 12455, 12468, 12481, 20158, 20471, 43978 and 44156, Nos. 7298, 19334 and 19335..... |
| 7298 | 24075 | Presser Foot Hinge Pin..... |
| 20268 | 24075 | " " " Plate..... |
| 20269 | 24075 | " " " Shank..... |
| 20270 | 24075 | Presser Foot (hinged) complete, for 44252 and 44253, Nos. 7298, 20268 and 20269..... |
| 62527 | 24075 | Presser Foot Hinge Pin..... |
| 20310 | 24075 | " " " Plate..... |
| 19223 | 24075 | " " " Shank..... |
| 20311 | 24075 | Presser Foot (hinged) complete, for 12455, 12468, 12481, 20147, 20158, 20471, 43978 and 44156, Nos. 19223, 20310 and 62527..... |
| 62527 | 24075 | Presser Foot Hinge Pin..... |
| 20344 | 24075 | " " " Plate..... |
| 20345 | 24075 | " " " Shank..... |
| 26231 | 24075 | " " " Spring..... |
| 20346 | 24075 | Presser Foot (spring hinged) complete, for 12455, 12468, 12481, 20147, 20471 and 43978, Nos. 20344, 20345, 26231 and 62527..... |
| 62527 | 24075 | Presser Foot Hinge Pin..... |
| 24544 | 24075 | " " " Plate..... |
| 24982 | 24075 | " " " Shank..... |
| 26231 | 24075 | " " " Spring..... |
| 24983 | 24075 | Presser Foot (spring hinged) complete, for 12455, 12468, 12481, 20158, 20471, 43978 and 44156, Nos. 24544, 24982, 26231 and 62527..... |
| 62527 | 24075 | Presser Foot Hinge Pin..... |
| 121943 | 24075 | " " " Plate..... |
| 121944 | 24075 | " " " Shank..... |
| 121945 | 24075 | " " " Spring..... |
| 121946 | 24075 | Presser Foot complete, for No. 5 Slide Fastener, for stitching at right or left of slide fastener, for crossing seams, for 12455, 12468, 12481, 20158, 20471, 43978 and 44156, Nos. 62527 and 121943 to 121945..... |

Digitized by Google

RUFFLER

| No. | Plate | Name |
|-------|-------|--|
| 2301 | 24068 | Ruffling Blade Lever Disengaging Lever Stop Pin..... |
| 26679 | 24068 | Separating Blade..... |
| 662J | 24068 | " " Screw (4)..... |
| 26724 | 24068 | Ruffler complete, Nos. 102J, 223J, 812B, 1101C, 1621J, 1640C, 2301, 26668 to 26671, 26675, 26676, 26678, 26719, 26722, 26723 and two 337J..... |

THROAT PLATES

FOR 31-15 MACHINE

| No. | Plate | Name |
|----------|-------|--|
| 20398XC | 24070 | Throat Plate, large needle hole, for 12455..... |
| 12456XC | ----- | Throat Plate, small needle hole, for 12455..... |
| 139616XC | 24070 | Throat Plate, large needle hole, for 12468 and 20471..... |
| 139617XC | ----- | Throat Plate, small needle hole, for 12468 and 20471..... |

FOR 31-20 MACHINE

| No. | Plate | Name |
|---------|-------|--|
| 19412XC | 24060 | Throat Plate, large needle hole, for 20147 and 44177..... |
| 19413XC | ----- | Throat Plate, small needle hole, for 20147 and 44177..... |
| 19418XC | 24060 | Throat Plate, large needle hole, for 20158 and 44156..... |
| 19419XC | ----- | Throat Plate, small needle hole, for 20158 and 44156..... |

FOR 31-15 AND 31-20 MACHINES

| No. | Plate | Name |
|---------|-------|--|
| 12464XC | 24067 | Throat Plate, large needle hole, for 12450 and 20348..... |
| 12451XC | 24069 | Throat Plate, small needle hole, for 12450 and 20348..... |
| 12482XC | 24067 | Throat Plate large needle hole, for 12481 and 43978..... |
| 12483XC | ----- | Throat Plate, small needle hole, for 12481 and 43978..... |
| 44255XC | 24067 | Throat Plate, small needle hole, for 44252 and 44253..... |

TUCKER

| No. | Plate | Name |
|--------|-------|----------------------|
| 36655 | 24069 | Driving Lever..... |
| 36656 | 24069 | " " Hinge Stud..... |
| 36657 | 24069 | " " Lock Spring..... |
| 36658 | 24069 | " " Rivet (2)..... |
| 120500 | 24069 | Frame..... |

TUCKER

| No. | Plate | Name |
|--------|-------|--|
| 26718 | 24069 | Needle Clamp Body..... |
| 1943 | 24069 | " " Roller..... |
| 1115F | 24069 | " " Screw..... |
| 26719 | 24069 | Needle Clamp complete, Nos. 1115F, 1943 and 26718..... |
| 36660 | 24069 | Tuck Guide..... |
| 50238B | 24069 | " " Thumb Screw..... |
| 36661 | 24069 | " " Washer..... |
| 36662 | 24069 | " Marker (lower)..... |
| 36663 | ----- | " " 36662 with 36664 and two 36648..... |
| 36664 | 24069 | Tuck Marker (upper)..... |
| 120572 | 24069 | " " Clamping Plate..... |
| 50238B | 24069 | " " Thumb Screw..... |
| 36648 | 24069 | Tuck Marker Rivet (2)..... |
| 36667 | 24069 | " Smoothing Spring..... |
| 86354 | 24069 | " " Rivet (2)..... |
| 36561 | 24069 | Tucker complete, Nos. 26719, 36655 to 36657, 36660, 36661, 36663, 36667, 120500, 120572 and two each 36658, 50238B and 86354..... |

OBSOLETE PARTS

| No. | Plate | Name |
|--------|-------|---|
| 12403 | 24077 | Arm Spool Pin and Thread Eyelet, use 52239..... |
| 29599 | 24077 | Arm Oil Tube Packing (felt) for 11119, 12454 and 24131..... |
| 44212 | 24076 | Drip Pan with four 1 in. wire nails, use 139622..... |
| 45720 | ----- | Face Plate Thread Guard (upper) 45874 with 125373, use 139615..... |
| 125373 | ----- | Face Plate Thread Guard (upper) Rivet |
| 3033 | 24077 | Feed Connecting Link, use 52165..... |
| 120001 | 24077 | Feed Dog (spiked teeth) 12 teeth (10 teeth to the inch) superseded by 121446, not interchangeable..... |
| 12369 | 24077 | Feed Dog, for cloth, 12 teeth (12 teeth to the inch) superseded by 44252, not interchangeable..... |
| 12457 | 24077 | Feed Dog, for cloth, 16 teeth (16 teeth to the inch) superseded by 44253, not interchangeable..... |
| 24036 | 24077 | Feed and Feed Lifting Eccentric Sleeve, use 127152..... |
| 12374 | 24077 | Feed Lifting Rock Shaft..... |
| 12375 | 24077 | Feed Lifting Rock Shaft complete, Nos. 3043, 12374 and 12376, use 44126..... |
| 3043 | 24077 | Feed Lifting Rock Shaft Crank (back) with 462AL..... |
| 2049 | ----- | Feed Lifting Rock Shaft Crank (back) Pin..... |
| 462AL | ----- | Feed Lifting Rock Shaft Crank (back) Set Screw..... |
| 12430 | 24077 | Feed Lifting Rock Shaft Crank Connecting Rod with two 966E, use 43976..... |
| 878J | 24077 | Oscillating Rock Shaft Hinge Pin Oil Hole Stop Screw..... |
| 12459 | 24077 | Oscillating Rock Shaft Hinge Pin Oil Hole Stop Screw Washer (leather). |
| 460AL | 24077 | Oscillating Shaft Crank Set Screw, for 19447..... |
| 229J | ----- | Oscillating Shaft Crank Slide Block Cap Screw for 19449..... |
| 2062 | 24077 | Presser Bar Lifter, use 52016..... |
| 2532 | 24077 | Presser Foot Hinge Pin for 20157, 20311 and 20346..... |
| 24545 | 24077 | Presser Foot Shank, use 24982..... |
| 24546 | 24077 | Presser Foot (spring hinged) complete for 12481 and 19474, Nos. 24544, 24545, 26231 and 62527, use 24983..... |
| 24074 | ----- | Shuttle Bobbin Case complete for 19292, Nos. 591F, 592E, 2975, 15098 and 15141, use 62740..... |
| 462AL | ----- | Shuttle Driver Set Screw..... |
| 15098 | 24077 | Shuttle Tension Spring for 24074..... |
| 2921 | 24077 | Tension Disc (2)..... |
| 20314 | 24077 | " Releaser..... |
| 29549 | 24077 | " Releasing Lever..... |
| 1018C | ----- | " Screw Stud..... |
| 20061 | 24077 | " " " Bushing..... |
| 448AL | ----- | " " " Set Screw..... |
| 20062 | 24077 | " " " Flange..... |
| 20063 | 24077 | " " " Collar..... |

| No. | Plate | Name |
|---------|-------|---|
| 2923 | 24077 | Tension Spring..... |
| 210958 | ----- | Thread Retainer Collar..... |
| 50429AL | 24077 | " " Set Screw..... |
| 210993 | ----- | " " Sleeve..... |
| 12400 | 24077 | " " Sleeve..... |
| 52398 | 24077 | " " Spring..... |
| 12401 | 24077 | " " Spring..... |
| 52378 | 24077 | " " Stud..... |
| 12402 | 24077 | " " Stud..... |
| 460AL | 24077 | " " Set Screw..... |
| 52379 | ----- | Thread Retainer complete, Nos. 52378, 52398, 210958 and 210993..... |
| 12399 | ----- | Thread Retainer complete, Nos. 12400 to 12402, use 52379..... |
| 430C | 24077 | Thread Take-up Lever Link Hinge Pin Set Screw..... |
| 8511 | 24077 | Thread Take-up Spring..... |
| 1241LXC | 24077 | Throat Plate, large needle hole, for 12369 and 12457, superseded by 44256, not interchangeable..... |
| 12449XC | ----- | Throat Plate, small needle hole, for 12369 and 12457, superseded by 44255, not interchangeable..... |
| 12469XC | 24077 | Throat Plate, large needle hole, for 12468 and 20471, use 139616..... |
| 12470XC | ----- | Throat Plate, small needle hole, for 12468 and 20471, use 139617..... |

NUMERICAL LIST OF PARTS

| No. | Plate | Name |
|-------|-------|--|
| 32D | 22335 | Bobbin Winder Frame Hinge Screw for 12172, 12202 and 20309..... |
| 35D | 22333 | Bobbin Winder Stop Latch Hinge Screw for 27647 and 27875..... |
| 76D | 22305 | Lifting Lever Connecting Rod Joint Hinge Screw for 139626 and 139627 |
| 94D | 24072 | Hemmer Folder Disengaging Lever Hinge Screw for 28688..... |
| 102J | 24068 | Ruffler Ruffling Blade Lever Disengaging Lever Hinge Screw for 26724..... |
| 144D | 22303 | Arm Shaft Screw..... |
| 145D | 22307 | Shuttle Race Screw (2)..... |
| 152F | 24060 | Binder Guide (upper) Screw for 26694 (2)..... |
| 157J | 22305 | Feed Lifting Rock Shaft Crank Clamping Screw for 12376..... |
| 157J | 22305 | Feed Rock Shaft Crank Clamping Screw for 29633..... |
| 158C | 22309 | Bed Frame Cushion Screw for 20087 (8)..... |
| 162D | 22332 | Belt Guard Extension Screw for 126365..... |
| 178E | 22305 | Bell Crank Bracket Screw for 139626 and 139627 (2)..... |
| 180F | 22335 | Bobbin Winder Spring Screw for 12172, 12202 and 20309..... |
| 190J | 24061 | Binder Ribbon Tension Screw for 26250, 26402, 120127, 120437 and 120459..... |
| 190J | 22912 | Binder Screw..... |
| 190J | 24063 | Corder Cord Guide Screw, for 28645 and 120207..... |
| 190J | 22304 | Face Plate Screw..... |
| 190J | 24072 | Hemmer Screw..... |
| 190J | 22306 | Presser Foot Screw..... |
| 193J | 24062 | Binder Folder Screw for 28678 and 28776..... |
| 196J | 24071 | Finger Guard Holder Clamping Screw for 36820..... |
| 207F | 24061 | Binder Folder Screw for 26250, 26402, 120437 and 120459..... |
| 207F | 24072 | Hemmer Slide Cap Screw (back) for 28688 (2)..... |
| 207F | 22946 | Quilter Guide Holder Set Screw for 25992..... |
| 207F | 22946 | Quilter Guide Set Screw for 25992... |
| 208AL | 22304 | Feed Dog Screw (2)..... |
| 209C | 22946 | Quilter Guide Set Screw for 120482 (2)..... |
| 210J | 22303 | Balance Wheel Oil Cover Screw..... |
| 211E | 22309 | Bed Frame Hinge Connection Cap Screw, for 19398 (2)..... |
| 219J | 22305 | Arm Side Cap Screw..... |
| 220J | 22918 | Binder Folder Screw for 120127..... |
| 223J | 24068 | Ruffler Guide Screw for 26724..... |
| 225F | 22306 | Slack Thread Regulator Adjusting Screw..... |
| 226J | 22305 | Oscillating Shaft Crank Slide Block Cap Screw for 19449..... |

SINGER Needles should be used
in SINGER Machines
These Needles and their Containers
are marked with the
Company's Trade Mark "SIMANCO.**" 1

Needles in Containers marked
"FOR SINGER MACHINES"
are NOT SINGER made needles. 2

OBSOLETE PARTS

| No. | Plate | Name |
|--------|-------|---|
| 12403 | 24077 | Arm Spool Pin and Thread Eyelet, use 52239..... |
| 29599 | 24077 | Arm Oil Tube Packing (Felt) for 11119, 12454 and 24131..... |
| 44212 | 24076 | Drip Pan with four 1 in. wire nails, use 139622..... |
| 45720 | ----- | Face Plate Thread Guard (upper) 45874 with 125373, use 139615.... |
| 125373 | ----- | Face Plate Thread Guard (upper) Rivet |
| 3033 | 24077 | Feed Connecting Link, use 52165..... |
| 120001 | 24077 | Feed Dog (spiked teeth) 12 teeth (10 teeth to the inch) superseded by 121446, not interchangeable..... |
| 12369 | 24077 | Feed Dog, for cloth, 12 teeth (12 teeth to the inch) superseded by 44252, not interchangeable..... |
| 12457 | 24077 | Feed Dog, for cloth, 16 teeth (16 teeth to the inch) superseded by 44253, not interchangeable..... |
| 24036 | 24077 | Feed and Feed Lifting Eccentric Sleeve, use 127152..... |
| 12374 | 24077 | Feed Lifting Rock Shaft..... |
| 12375 | 24077 | Feed Lifting Rock Shaft complete, Nos. 3043, 12374 and 12376, use 44126. |
| 3043 | 24077 | Feed Lifting Rock Shaft Crank (back) with 462AL..... |
| 2049 | ----- | Feed Lifting Rock Shaft Crank (back) Pin..... |
| 462AL | ----- | Feed Lifting Rock Shaft Crank (back) Set Screw..... |
| 12430 | 24077 | Feed Lifting Rock Shaft Crank Connecting Rod with two 966E, use 43976..... |
| 878J | 24077 | Oscillating Rock Shaft Hinge Pin Oil Hole Stop Screw..... |
| 12459 | 24077 | Oscillating Rock Shaft Hinge Pin Oil Hole Stop Screw Washer (leather). |
| 460AL | 24077 | Oscillating Shaft Crank Set Screw, for 19447..... |
| 229J | ----- | Oscillating Shaft Crank Slide Block Cap Screw for 19449..... |
| 2062 | 24077 | Presser Bar Lifter, use 52016..... |
| 2532 | 24077 | Presser Foot Hinge Pin for 20157, 20311 and 20346..... |
| 24545 | 24077 | Presser Foot Shank, use 24982..... |
| 24546 | 24077 | Presser Foot (spring hinged) complete for 12481 and 19474, Nos. 24544, 24545, 26231 and 62527, use 24983..... |
| 24074 | ----- | Shuttle Bobbin Case complete for 19292, Nos. 591F, 592E, 2975, 15098 and 15141, use 62740..... |
| 462AL | ----- | Shuttle Driver Set Screw..... |
| 15098 | 24077 | Shuttle Tension Spring for 24074..... |
| 2921 | 24077 | Tension Disc (2)..... |
| 20314 | 24077 | " Releaser..... |
| 29549 | 24077 | " Releasing Lever..... |
| 1018C | ----- | " Screw Stud..... |
| 20061 | 24077 | " " " Bushing..... |
| 448AL | ----- | " " " Set Screw..... |
| 20062 | 24077 | " " " Flange..... |
| 20063 | 24077 | " " " Collar..... |

OBSOLETE PARTS

| No. | Plate | Name |
|---------|-------|---|
| 2923 | 24077 | Tension Spring..... |
| 210958 | ----- | Thread Retainer Collar..... |
| 50429AL | 24077 | " " Set Screw..... |
| 210993 | ----- | " " Sleeve..... |
| 12400 | 24077 | " " Sleeve..... |
| 52398 | 24077 | " " Spring..... |
| 12401 | 24077 | " " Spring..... |
| 52378 | 24077 | " " Stud..... |
| 12402 | 24077 | " " Stud..... |
| 460AL | 24077 | " " Set Screw..... |
| 52379 | ----- | Thread Retainer complete, Nos. 52378, 52398, 210958 and 210993..... |
| 12399 | ----- | Thread Retainer complete, Nos. 12400 to 12402, use 52379..... |
| 430C | 24077 | Thread Take-up Lever Link Hinge Pin Set Screw..... |
| 8511 | 24077 | Thread Take-up Spring..... |
| 12411XC | 24077 | Throat Plate, large needle hole, for 12369 and 12457, superseded by 44256, not interchangeable..... |
| 12449XC | ----- | Throat Plate, small needle hole, for 12369 and 12457, superseded by 44255, not interchangeable..... |
| 12469XC | 24077 | Throat Plate, large needle hole, for 12468 and 20471, use 139616..... |
| 12470XC | ----- | Throat Plate, small needle hole, for 12468 and 20471, use 139617..... |

NUMERICAL LIST OF PARTS

| No. | Plate | Name |
|-------|-------|--|
| 32D | 22335 | Bobbin Winder Frame Hinge Screw for 12172, 12202 and 20309..... |
| 35D | 22333 | Bobbin Winder Stop Latch Hinge Screw for 27647 and 27875..... |
| 76D | 22305 | Lifting Lever Connecting Rod Joint Hinge Screw for 139626 and 139627 |
| 94D | 24072 | Hemmer Folder Disengaging Lever Hinge Screw for 28688..... |
| 102J | 24068 | Ruffler Ruffling Blade Lever Disengaging Lever Hinge Screw for 26724..... |
| 144D | 22303 | Arm Shaft Screw..... |
| 145D | 22307 | Shuttle Race Screw (2)..... |
| 152F | 24060 | Binder Guide (upper) Screw for 26694 (2)..... |
| 157J | 22305 | Feed Lifting Rock Shaft Crank Clamping Screw for 12376..... |
| 157J | 22305 | Feed Rock Shaft Crank Clamping Screw for 29633..... |
| 158C | 22309 | Bed Frame Cushion Screw for 20067 (8)..... |
| 162D | 22332 | Belt Guard Extension Screw for 126365..... |
| 178E | 22305 | Bell Crank Bracket Screw for 139626 and 139627 (2)..... |
| 180F | 22335 | Bobbin Winder Spring Screw for 12172, 12202 and 20309..... |
| 190J | 24061 | Binder Ribbon Tension Screw for 26250, 26402, 120127, 120437 and 120459..... |
| 190J | 22912 | Binder Screw..... |
| 190J | 24063 | Corder Cord Guide Screw, for 28645 and 120207..... |
| 190J | 22304 | Face Plate Screw..... |
| 190J | 24072 | Hemmer Screw..... |
| 190J | 22306 | Presser Foot Screw..... |
| 193J | 24062 | Binder Folder Screw for 28678 and 28776..... |
| 196J | 24071 | Finger Guard Holder Clamping Screw for 36820..... |
| 207F | 24061 | Binder Folder Screw for 26250, 26402, 120437 and 120459..... |
| 207F | 24072 | Hemmer Slide Cap Screw (back) for 28688 (2)..... |
| 207F | 22946 | Quilter Guide Holder Set Screw for 25992..... |
| 207F | 22946 | Quilter Guide Set Screw for 25992... |
| 208AL | 22304 | Feed Dog Screw (2)..... |
| 209C | 22946 | Quilter Guide Set Screw for 120482 (2)..... |
| 210J | 22303 | Balance Wheel Oil Cover Screw..... |
| 211E | 22309 | Bed Frame Hinge Connection Cap Screw for 19398 (2)..... |
| 219J | 22305 | Arm Side Cap Screw..... |
| 220J | 22918 | Binder Folder Screw for 120127..... |
| 223J | 24068 | Ruffler Guide Screw for 26724..... |
| 225F | 22306 | Slack Thread Regulator Adjusting Screw..... |
| 226J | 22305 | Oscillating Shaft Crank Slide Block Cap Screw for 19449..... |

SINGER Needles should be used
in SINGER Machines
These Needles and their Containers
are marked with the
Company's Trade Mark "SIMANCO.**" 1

Needles in Containers marked
"FOR SINGER MACHINES"
are NOT SINGER made needles. 2

NUMERICAL LIST OF PARTS

| No. | Plate | Name |
|-------|-------|---|
| 229J | ----- | Oscillating Shaft Crank Slide Block Cap Screw for 19449, obsolete.... |
| 233J | 24062 | Binder Ribbon Tension Screw for 28678 and 28776 (2)..... |
| 233J | 24072 | Hemmer Folder (left) Screw for 28688 |
| 233J | 24072 | Slide Cap Screw, (front) for 28688 (2)..... |
| 233D | 22306 | Needle Bar Thread Guard Screw..... |
| 236J | 24071 | Finger Guard Screw for 120498, 120859, 120860, 121335 and 121619 |
| 248A | 22303 | Clamp Stop Motion Clamp Stop Screw for 3022..... |
| 256J | 22303 | Clamp Stop Motion Clamp Screw for 3022 and 56827..... |
| 284W | 22337 | Guide Thumb Screw (long)..... |
| 307C | 22305 | Feed Lifting Rock Shaft Screw Center for 56814 (2)..... |
| 307C | 22305 | Feed Rock Shaft Screw Center for 56814 (2)..... |
| 313C | 22305 | Feed Bar Screw Center for 56813 (2). |
| 333D | 22335 | Bobbin Winder Friction Wheel Washer Screw for 12171, 12201 and 20308. |
| 334J | 22912 | Binder Pressure Spring Screw for 25650, 25653, 25656 and 26694.... |
| 337B | 22946 | Presser Foot Graduated Adjustable Guide Clamp Screw for 35137 and 121949..... |
| 337J | 24068 | Ruffler Ruffling Blade Clamp Screw for 26724 (2)..... |
| 356C | 22338 | Rock Shaft Knee Arm Hub Set Screw for 2766..... |
| 356C | 22338 | Rock Shaft Knee Plate Set Screw for 2767..... |
| 356C | 22338 | Rock Shaft Lifting Bracket Hook Set Screw for 6337..... |
| 356C | 22338 | Rock Shaft Lifting Bracket Set Screw for 6337..... |
| 375C | 22303 | Feed Connecting Link Hinge Screw. for 43993 (2)..... |
| 375C | 22303 | Feed Forked Connection Hinge Screw... |
| 375C | 22303 | Feed Lifting Rock Shaft Crank Connecting Rod Hinge Screw..... |
| 391J | 22307 | Shuttle Bobbin Case Position Plate Screw for 24325 and 24415 (2)... |
| 418E | 22333 | Bobbin Winder Tension Screw Stud for 27308..... |
| 430C | 24077 | Thread Take-up Lever Link Hinge Pin Set Screw obsolete..... |
| 435AL | 22306 | Thread Take-up Lever Link Hinge Pin Set Screw..... |
| 443AL | ----- | Balance Wheel Set Screw for 139631 (2)..... |
| 446AL | 22303 | Feed and Feed Lifting Eccentric Set Screw for 20283..... |
| 448AL | 22303 | Arm Shaft Flanged Bushing (back) Set Screw..... |
| 448AL | 22303 | Balance Wheel Set Screw for 4370 and 12358 (2)..... |
| 448AL | 22305 | Lifting Lever Pin Set Screw for 12237..... |
| 448AL | 22303 | Oscillating Rock Shaft Hinge Pin Set Screw..... |
| 448AL | ----- | Tension Screw Stud Bushing Set Screw, obsolete..... |

NUMERICAL LIST OF PARTS

| No. | Plate | Name |
|-------|-------|--|
| 448AL | 22304 | Thread Take-up Spring Regulator Set Screw..... |
| 453AL | 22306 | Needle Bar Connecting Stud Set Screw for 12384..... |
| 453AL | 22305 | Oscillating Shaft Crank Set Screw for 44135 (2)..... |
| 453AL | 22306 | Presser Bar Guide Bracket Set Screw for 20059..... |
| 457AL | 24063 | Corder Cord Guide Bed Leveling Screw for 120206..... |
| 457AL | ----- | Oscillating Shaft Crank Set Screw for 19447..... |
| 460AL | 24077 | Oscillating Shaft Crank Set Screw for 19447, obsolete..... |
| 460AL | 24077 | Thread Retainer Stud Set Screw, obsolete..... |
| 462AL | 22303 | Clamp Stop Motion Flanged Bushing Set Screw for 4933 (2)..... |
| 462AL | ----- | Feed Lifting Rock Shaft Crank (back) Set Screw for 3043, obsolete.... |
| 462AL | ----- | Shuttle Driver Set Screw, obsolete... |
| 591F | 22306 | Shuttle Tension Regulating Screw for 20756, 24074 and 62740..... |
| 592E | 22306 | Shuttle Bobbin Case Latch Stop Screw for 20756, 24074 and 62740..... |
| 602D | 22946 | Quilter Guide Disengaging Sleeve Spring Screw for 120485..... |
| 624AL | 22304 | Thread Retainer Set Screw..... |
| 662J | 24068 | Ruffler Separating Blade Screw for 26670 and 26671 (4)..... |
| 665J | 22918 | Binder Folder Guide Screw for 120120 |
| 665J | 24075 | Presser Foot Braid Guide Screw for 36182..... |
| 665J | 24075 | Presser Foot Spring Guide Screw for 28726..... |
| 688J | 22306 | Pressure Regulating Thumb Screw.... |
| 689C | 22306 | Presser Bar Lifter Screw..... |
| 690E | 22303 | Thread Take-up Crank Wedge Screw.... |
| 691XC | 22304 | Throat Plate Screw (2)..... |
| 692D | 22335 | Bobbin Winder Bracket Screw, for use with Bobbin Winders 12172, 12202 and 20309..... |
| 725J | 22304 | Shuttle Race Slide Spring Screw for 12432 (2)..... |
| 748E | 22307 | Arm Screw (back) (2)..... |
| 766E | 22306 | Lifting Lever Link Hinge Screw for 139626 and 139627..... |
| 775E | 22306 | Thread Take-up Lever Cap Screw for 43990..... |
| 794E | 22306 | Needle Bar Connecting Link Adjusting Screw for 43997..... |
| 802D | 22305 | Lifting Lever Hinge Screw for 139626 and 139627..... |
| 808F | 22306 | Needle Clamp Screw for 4303..... |
| 812B | 24068 | Ruffler Ruffling Blade Lever Adjusting Thumb Screw for 26724..... |
| 818D | 22303 | Feed Regulator Thumb Screw for 56886 |
| 854E | 22307 | Arm Screw (front) (2)..... |
| 858AL | 22303 | Needle Bar Crank Set Screw for 20188 |
| 878J | 24077 | Oscillating Rock Shaft Hinge Pin Oil Hole Stop Screw, obsolete..... |
| 896AL | 22303 | Crank Connecting Rod Cap Screw for 20197 (2)..... |

NUMERICAL LIST OF PARTS

| No. | Plate | Name |
|--------|-------|---|
| 907D | 22307 | Shuttle Race Back Spring Screw for 24325 and 24415..... |
| 908C | 22303 | Crank Connecting Rod Hinge Screw for 139602..... |
| 936E | 22306 | Needle Bar Screw Bushing (2)..... |
| 940W | 22337 | Guide Holder Hinge Screw for 120428 |
| 966E | 22303 | Feed Lifting Rock Shaft Crank Connecting Rod Cap Screw for 12430 and 43976 (2)..... |
| 988C | 22305 | Oscillating Shaft Crank Slide Block Screw Stud for 19449..... |
| 1018C | ----- | Tension Screw Stud, obsolete..... |
| 1044D | 24063 | Corder Cord Guide Arm Hinge Screw, for 28645 and 120207..... |
| 1053E | 22307 | Shuttle Race Cap Screw, for 24998 and 25000 (2)..... |
| 1065AL | 22303 | Needle Bar Crank Position Screw for 20188..... |
| 1101C | 24068 | Ruffler Driving Lever Hinge Screw for 26724..... |
| 1115F | 24068 | Ruffler Needle Clamp Screw for 26719 |
| 1115F | 24069 | Tucker Needle Clamp Screw for 26719. |
| 1128E | 22303 | Feed Regulator Hinge Screw..... |
| 1141D | 24060 | Binder Guide (lower) Screw Stud for 26696..... |
| 1266AL | 22305 | Shuttle Driver Set Screw for 12444 and 19406 (2)..... |
| 1443J | 24065 | Hemmer Screw, for 120340 (2)..... |
| 1443J | 24061 | Piping Attachment Screw for 35245... |
| 1480D | 22332 | Belt Guard Retaining Screw for 126365..... |
| 1513J | 22305 | Feed Lifting Rock Shaft Screw Center Nut for 56814 (2)..... |
| 1513J | 22305 | Feed Rock Shaft Screw Center Nut for 56814 (2)..... |
| 1518J | 22303 | Feed Connecting Link Hinge Screw Nut for 43993 (2)..... |
| 1518J | 22303 | Feed Forked Connection Hinge Screw Nut..... |
| 1518J | 22303 | Feed Lifting Rock Shaft Crank Connecting Rod Hinge Screw Nut..... |
| 1518E | 22305 | Oscillating Shaft Crank Slide Block Screw Stud Nut for 19447 and 44135..... |
| 1519J | 22305 | Feed Bar Screw Center Nut for 56813 (2)..... |
| 1520J | 22306 | Presser Bar Lifter Screw Nut..... |
| 1521J | 22305 | Lifting Lever Connecting Rod Lock Nut for 139626 and 139627..... |
| 1560C | 22304 | Tension Regulating Thumb Nut for 44141..... |
| 1562J | 22333 | Bobbin Winder Tension Regulating Thumb Nut for 27308..... |
| 1566D | 24060 | Binder Guide (lower) Thumb Nut for 26694..... |
| 1577D | 22912 | Binder Folder Guide (upper) Thumb Nut for 25650, 25653 and 25656.. |
| 1619E | 22303 | Crank Connecting Rod Hinge Screw Nut. |
| 1620J | 22333 | Bobbin Winder Frame Hinge Screw Nut for 27647 and 27875..... |
| 1621J | 24068 | Ruffler Ruffling Blade Lever Adjusting Thumb Screw Nut for 26724.... |
| 1640C | 24068 | Ruffler Driving Lever Spring Adjusting Nut for 26724..... |

NUMERICAL LIST OF PARTS

| No. | Plate | Name |
|------|-------|---|
| 1813 | 22305 | Feed Lifting Rock Shaft Crank Roller and Stud for 12376..... |
| 1852 | 22337 | Guide Roller for 28658..... |
| 1904 | 22306 | Needle Bar Connecting Stud Roller (roller only) for 12384..... |
| 1943 | 24068 | Ruffler Needle Clamp Roller for 26719 |
| 1943 | 24069 | Tucker Needle Clamp Roller for 26719. |
| 2020 | 22303 | Clamp Stop Motion Clamp Washer for 3022..... |
| 2022 | ----- | Clamp Stop Motion Flanged Bushing Pin |
| 2049 | ----- | Feed Lifting Rock Shaft Crank (back) Pin, obsolete..... |
| 2049 | ----- | Oscillating Shaft Crank Pin..... |
| 2049 | ----- | Shuttle Driver Pin..... |
| 2062 | 24077 | Presser Bar Lifter, obsolete, use 52016..... |
| 2102 | 23253 | Bobbin Winder Tension Disc for 225462 (2)..... |
| 2102 | 22304 | Tension Disc, for 44118 (2)..... |
| 2106 | 22333 | Bobbin Winder Tension Thread Guide for 27308..... |
| 2135 | 22303 | Balance Wheel (stand) heavy rim, 2 1/2 in. pulley, for 3022..... |
| 2301 | 24068 | Ruffler Ruffling Blade Lever Disengaging Lever Stop Pin for 26724.. |
| 2362 | 24072 | Hemmer Folder Disengaging Lever Stop Pin for 28682..... |
| 2362 | 24072 | Hemmer Folder (left) Steady Pin for 28682..... |
| 2419 | 22317 | Shuttle Race Back for 24325..... |
| 2455 | 22333 | Bobbin Winder Tension Disc for 27308 (2)..... |
| 2531 | 22307 | Shuttle Race Back, for 24415..... |
| 2532 | 24077 | Presser Foot Hinge Pin for 20311 and 20346, obsolete..... |
| 2532 | 22307 | Shuttle Race Back Position Pin for 24962 and 24999 (2)..... |
| 2533 | 22307 | Shuttle Race Back Spring for 24325 and 24415..... |
| 2763 | 22338 | Rock Shaft for 139633..... |
| 2765 | 22338 | Rock Shaft Knee Arm for 2768..... |
| 2766 | 22338 | Rock Shaft Knee Arm Hub with 356C for 2768..... |
| 2767 | 22338 | Rock Shaft Knee Plate with 356C for 2768..... |
| 2768 | ----- | Rock Shaft Knee Arm complete, for 139624 and 139625, Nos. 2765 to 2767..... |
| 2770 | 22338 | Rock Shaft Stop Dog with 140219C, for 139633..... |
| 2862 | ----- | Balance Wheel (stand) heavy rim, 3 in. pulley for 3022..... |
| 2921 | 24077 | Tension Disc, obsolete (2)..... |
| 2923 | 24077 | Tension Spring, obsolete..... |
| 2973 | 22306 | Shuttle Bobbin Case Latch Lever, for 15141 and 20650..... |
| 2974 | 22306 | Shuttle Bobbin Case Latch Lever Fulcrum Pin for 15141, and 20650. |
| 2975 | 22306 | Shuttle Bobbin Case Latch Spring, for 20756, 24074 and 62740..... |
| 2996 | 22306 | Shuttle Bobbin, for 19292..... |
| 3022 | 22303 | Clamp Stop Motion complete, Nos. 248A, 256J, 2020 and 4933..... |

| No. | Plate | Name |
|------|-------|---|
| 3023 | ----- | Clamp Stop Motion Flanged Bushing, for 4933 and 56827..... |
| 3033 | 24077 | Feed Connecting Link, obsolete, use 52165..... |
| 3039 | 22303 | Feed Regulator for 56886..... |
| 3043 | 24077 | Feed Lifting Rock Shaft Crank (back) with 462AL, for 12375..... |
| 3094 | 22303 | Thread Take-up Crank Wedge..... |
| 3146 | 23249 | Binder Thumb Screw Washer for 121168.. |
| 3146 | 22337 | Guide Thumb Screw Washer for 25873.. |
| 4302 | 22306 | Needle Bar Thread Guard..... |
| 4303 | 22306 | Needle Clamp with 80SF..... |
| 4307 | 22304 | Shuttle Race Slide Spring, for 12432.. |
| 4370 | ----- | Balance Wheel (stand) heavy rim, 2 3/4 in. pulley, with two 448AL.. |
| 4784 | 22303 | Oscillating Rock Shaft Oil Pad for 24105..... |
| 4822 | 24059 | Wrench for 1521, (Attachments and Accessories)..... |
| 4933 | 22303 | Clamp Stop Motion Flanged Bushing 3023 with two 462AL for 3022.... |
| 5596 | 22305 | Bell Crank, for 56848..... |
| 5598 | 22305 | Bell Crank complete, for 139626 and 139627, Nos. 5735 and 56848..... |
| 5599 | 22305 | Bell Crank Bracket for 56848..... |
| 5601 | 22305 | Bell Crank Hinge Pin for 56848..... |
| 5735 | 22305 | Bell Crank Spring, for 5598..... |
| 5960 | 22335 | Bobbin Winder Friction Wheel (leather) for 12171, 12201 and 20308..... |
| 5961 | 22335 | Bobbin Winder Friction Wheel Washer, for 12171, 12201 and 20308..... |
| 5963 | 22335 | Bobbin Winder Sprindple Flange for 12171, 12201 and 20308..... |
| 6337 | 22338 | Rock Shaft Lifting Bracket with two 356C, for 139633..... |
| 7071 | 24060 | Binder Guide (upper) Screw Washer for 26694 (2)..... |
| 7071 | 24061 | Binder Folder Screw Washer for 26250, 26402, 28678, 28776, 120437 and 120459..... |
| 7071 | 22912 | Binder Pressure Spring Screw Washer for 25650, 25653, 25656 and 26694..... |
| 7071 | 24061 | Binder Ribbon Tension Screw Washer for 26250, 26402, 120127, 120437 and 120459..... |
| 7071 | 22337 | Guide Thumb Screw Washer for 120428.. |
| 7298 | 24064 | Presser Foot Hinge Pin for 19336, 20270 and 120144..... |
| 7336 | 22304 | Thread Take-up Spring Regulator for 44118..... |
| 7539 | 22338 | Rock Shaft Hanger with two wood screws 1 in. No. 10 F.H. for 139625 (2)..... |
| 7806 | 22918 | Binder Folder Screw Washer for 120127..... |
| 8418 | 22343 | Belt Guard Button, for 8420..... |
| 8419 | 22343 | Belt Guard Button Washer (leather) for 8420..... |
| 8420 | ----- | Belt Guard Button 8418 with 8419 and wood screw 1 1/4 in. No. 9 R.H.B. |
| 8511 | 24077 | Thread Take-up Spring, obsolete..... |
| 8582 | 22307 | Arm Dowel Pin..... |

| No. | Plate | Name |
|-------|-------|--|
| 8879 | 22307 | Arm Spool Pin Washer (cloth)..... |
| 8879 | 23249 | Tape Reel Disc Pin Washer (cloth) for 121412..... |
| 8908 | 24059 | Wrench for 1519, 1520 and 1620 (Attachments and Accessories).... |
| 8909 | 24059 | Wrench for 1513 and 1518 (Attachments and Accessories)..... |
| 9331 | 22332 | Belt Guard Extension Screw Washer, for 126365..... |
| 9558 | 24060 | Binder Folder Steady Pin for 26695.. |
| 9780 | 24060 | Binder Guide (lower) Stud for 26696.. |
| 10141 | 22333 | Bobbin Winder Tension Spring for 27308..... |
| 11119 | 22307 | Arm Oil Tube with 52045, for oiling 12408..... |
| 11167 | 22306 | Presser Bar Spring (light) .051 wire. Note: No. 11167 is sent with these machines unless another Spring is specified on order. |
| 11170 | 22306 | Presser Bar Spring Washer..... |
| 11204 | 22306 | Thread Take-up Lever Link Hinge Pin for 43990..... |
| 11241 | 22333 | Bobbin Winder Spool Pin Washer (cloth) for 27308..... |
| 12139 | ----- | Presser Bar Spring (medium) .055 wire |
| 12142 | 24075 | Presser Foot for 12455, 12468, 12481, 20158, 20471, 43978 and 44156.... |
| 12143 | 22306 | Presser Foot for 44252 and 44253.... |
| 12144 | 24075 | Presser Foot for 12455, 12468, 12481, 20147, 20158, 20471, 43978 and 44156..... |
| 12150 | 22304 | Face Plate Thread Guard (lower) with 12152, for 20058..... |
| 12152 | 22304 | Face Plate Thread Guard (lower) Rivet for 12150..... |
| 12152 | 24072 | Hemmer Slide Spring Cover Rivet for 28682 (2)..... |
| 12166 | 22306 | Thread Take-up Lever Hinge Pin for 12410..... |
| 12168 | 22335 | Bobbin Winder Bracket for 12172, 12202 and 20309..... |
| 12169 | 22335 | Bobbin Winder Frame for 12171 and 12201..... |
| 12170 | 22335 | Bobbin Winder Spring for 12172, 12202 and 20309..... |
| 12171 | 22335 | Bobbin Winder Frame complete, for 12172, Nos. 333D, 5960, 5961, 5963, 12169 and 15077..... |
| 12172 | 22335 | Bobbin Winder complete, for 4370, Nos. 32D, 180F, 12168, 12170, 12171.. |
| 12193 | 22307 | Arm Side Cover..... |
| 12201 | 22335 | Bobbin Winder Frame complete, for 12202, Nos. 333D, 5960, 5961, 5963, 12169 and 15077..... |
| 12202 | 22335 | Bobbin Winder complete, for 2135 and 2862, Nos. 32D, 180F, 12168, 12170 and 12201..... |
| 12237 | 22305 | Lifting Lever with 448AL, for 139626 and 139627..... |
| 12240 | 22305 | Lifting Lever Pin for 139626 and 129627..... |
| 12241 | 22306 | Lifting Lever Link for 139626 and 139627..... |
| 12242 | 22338 | Rock Shaft Hanger (front) with two wood screws 1 in. No. 10 F.H. for 139624..... |

| No. | Plate | Name |
|--------|-------|--|
| 12258 | 24075 | Presser Foot (wide) for 44252 and 44253..... |
| 12259 | 24075 | Presser Foot for 12455, 12468, 12481, 20158, 20471, 43978 and 44156..... |
| 12260 | 24075 | Presser Foot for 12450, 12455, 12468, 12481, 20147, 20158, 20348, 20471, 43978 and 44156..... |
| 12261 | 24075 | Presser Foot for 12455, 12468, 12481, 20158, 20471, 43978 and 44156..... |
| 12327 | 22306 | Presser Bar Lifting and Releasing Lever Bracket..... |
| 12329 | 22304 | Tension Releasing Lever Spring..... |
| 12335 | 24075 | Presser Foot (narrow) for 44252 and 44253..... |
| *12355 | ----- | Arm with 15404 and two 15405..... |
| 12357 | 22303 | Arm Shaft Flanged Bushing (back)..... |
| 12358 | 22303 | Balance Wheel (power) light rim, 2 3/16 in. pulley, with two 448AL..... |
| *12360 | ----- | Bed..... |
| 12361 | 24059 | Machine Hinge Connection (Attachments and Accessories) (2)..... |
| 12368 | 22305 | Feed Bar..... |
| 12369 | 24077 | Feed Dog, for cloth, 12 teeth (12 teeth to the inch) obsolete, superseded by 44252, not interchangeable..... |
| 12370 | 24062 | Feed Dog, 15 teeth (16 teeth to the inch) for 28775, for 28776..... |
| 12374 | 24077 | Feed Lifting Rock Shaft for 12375, obsolete..... |
| 12375 | 24077 | Feed Lifting Rock Shaft complete, Nos. 3043, 12374 and 12376, obsolete use 44126..... |
| 12376 | 22305 | Feed Lifting Rock Shaft Crank with 157J and 1813, for 12375 and 44126..... |
| 12379 | 22305 | Feed Rock Shaft for 20333..... |
| 12381 | 22306 | Needle Bar (hollow)..... |
| 12384 | 22306 | Connecting Stud with 453AL and 1904, for 43997..... |
| 12388 | 22303 | Oscillating Rock Shaft Hinge Pin for 24105..... |
| 12389 | 22305 | Oscillating Shaft..... |
| 12391 | 22306 | Presser Bar (hollow)..... |
| 12393 | 22306 | Shuttle Body for 19292..... |
| 12398 | 22304 | Tension Releasing Lever Hinge Pin..... |
| 12399 | ----- | Thread Retainer complete, Nos. 12400 to 12402, obsolete, use 52379..... |
| 12400 | 24077 | Thread Retainer Sleeve, for 12399, obsolete..... |
| 12401 | 24077 | Thread Retainer Spring for 12399, obsolete..... |
| 12402 | 24077 | Thread Retainer Stud for 12399, obsolete..... |
| 12403 | 24077 | Arm Spool Pin and Thread Eyelet, obsolete, use 52239..... |
| 12404 | 22306 | Thread Take-up Crank for 43990..... |
| 12408 | 22306 | Thread Take-up Lever for 12410..... |
| 12409 | 22306 | Thread Take-up Lever Link for 12410..... |
| 12410 | ----- | Thread Take-up Lever complete, for 43990, Nos. 12166, 12408 and 12409..... |

| No. | Plate | Name |
|---------|-------|---|
| 12411XC | 24077 | Throat Plate, large needle hole, for 12369 and 12457, obsolete, superseded by 44256, not interchangeable..... |
| 12415 | 22305 | Lifting Lever Connecting Rod for 139626 and 139627..... |
| 12416 | 22305 | Lifting Lever Connecting Rod Joint for 139626 and 139627..... |
| 12424 | 22305 | Oscillating Shaft Crank Slide Block Cap Screw Washer for 19449..... |
| 12427 | 22303 | Arm Shaft, for 44122..... |
| 12430 | 24077 | Feed Lifting Rock Shaft Crank Connecting Rod with two 966E, obsolete, use 43976..... |
| 12431 | 22304 | Shuttle Race Slide for 12432..... |
| 12432 | 22304 | Shuttle Race Slide complete, Nos. 4307, 12431 and two 725J..... |
| 12444 | 22305 | Shuttle Driver with two 1266AL, for 31-15 Machine..... |
| 12449XC | ----- | Throat Plate, small needle hole, for 12369 and 12457, obsolete superseded by 44255, not interchangeable..... |
| 12450 | 24069 | Feed Dog, 11 teeth (18 teeth to the inch) for 12451 and 12464, for 26655 and 35175..... |
| 12451XC | 24069 | Throat Plate, small needle hole, for 12450 and 20348, for 26655 and 35175..... |
| 12453 | 22307 | Arm Oil Tube, for intermediate bearing..... |
| 12454 | 22307 | Arm Oil Tube with 132590, for oiling 12409..... |
| 12455 | 24070 | Feed Dog, 13 teeth (14 teeth to the inch) for shirt work, beveled for hemmer, for 31-15 Machine, for 12456 and 20398..... |
| 12456XC | ----- | Throat Plate, small needle hole, for 31-15 Machine for 12455..... |
| 12457 | 24077 | Feed Dog, for cloth, 16 teeth (16 teeth to the inch) obsolete, superseded by 44253, not interchangeable..... |
| 12459 | 24077 | Oscillating Rock Shaft Hinge Pin Oil Hole Stop Screw Washer (leather) obsolete..... |
| 12464XC | 24067 | Throat Plate, large needle hole, for 12450 and 20348, for 26655 and 35175..... |
| 12467 | 24075 | Presser Foot, for umbrella work..... |
| 12468 | 24070 | Feed Dog, 16 teeth (16 teeth to the inch) for shirt work, beveled for hemmer, for 31-15 Machine, for 139616 and 139617..... |
| 12469XC | 24077 | Throat Plate, large needle hole, for 12468 and 20471, obsolete use 139616..... |
| 12470XC | ----- | Throat Plate, small needle hole, for 12468 and 20471, obsolete use 139617..... |
| 12474 | 24075 | Presser Foot for 12455, 12468, 12481, 20158, 20471, 43978 and 44156..... |
| 12480 | 22305 | Arm Slide Cap..... |

NUMERICAL LIST OF PARTS

| No. | Plate | Name |
|---------|-------|---|
| 12481 | 24067 | Feed Dog, 18 teeth (16 teeth to the inch) for 12482 and 12483..... |
| 12482XC | 24067 | Throat Plate, large needle hole, for 12481 and 43978..... |
| 12483XC | ----- | Throat Plate, small needle hole, for 12481 and 43978..... |
| 13710 | 23253 | Bobbin Winder Tension Spring for 225462..... |
| 14010 | 22309 | Bed Frame Hinge Plate Rivet for 20067 (6)..... |
| 15072 | 22335 | Bobbin Winder Bobbin Position Pin for 15077 and 27538..... |
| 15077 | 22335 | Bobbin Winder Spindle with 15072, for 12171, 12201 and 20308..... |
| 15098 | 24077 | Shuttle Tension Spring for 24074..... |
| 15140 | 22306 | Shuttle Bobbin Case Latch for 15141. |
| 15141 | ----- | Shuttle Bobbin Case Hinge for 24074 and 62740, Nos. 2973, 2974 and 15140..... |
| 15278 | 22306 | Shuttle Tension Spring for 62740.... |
| *15404 | ----- | Trade Mark, for 12355..... |
| 15405 | ----- | Rivet, for 12355 (2)..... |
| 16555 | 22309 | Bed Frame Hinge Plate for 20067 (2).. |
| 18055 | 24072 | Presser Foot Hinge Pin for 28691.... |
| 19131 | 22316 | Shuttle Bobbin for 20758..... |
| 19219 | 22309 | Bed Frame Cushion (leather) for 20067 (4)..... |
| 19220 | 22309 | Bed Frame Cushion Spring for 20067 (4)..... |
| 19221 | 24059 | Wrench, for 936 and 1619 (Attachments and Accessories) |
| 19223 | 24075 | Presser Foot Shank for 20311..... |
| 19226 | 22309 | Bed Frame Hinge Connection for 19398 (2)..... |
| 19292 | 22306 | Shuttle, 1 11/16 in. diam., for 31-15 Machine, Nos. 2996, 12393, and 62740..... |
| 19334 | 24075 | Presser Foot Plate for 19336..... |
| 19335 | 24064 | Presser Foot Shank for 19336 and 12014..... |
| 19336 | 24075 | Presser Foot (hinged) complete, for 12455, 12468, 12481, 20158, 20471, 43978 and 44156, Nos. 7298, 19334 and 19335..... |
| 19397 | 22309 | Bed Frame Hinge Connection Cap for 19398 (2)..... |
| 19398 | ----- | Bed Frame Hinge Connection 19226 with 211E and 19397 (2)..... |
| 19406 | 22315 | Shuttle Driver with two 1266AL, for 31-20 Machine..... |
| 19412XC | 24060 | Throat Plate, large needle hole, for 31-20 Machine, for 20147 and 44177..... |
| 19413XC | ----- | Throat Plate, small needle hole, for 31-20 Machine, for 20147 and 44177..... |
| 19418XC | ----- | Throat Plate, large needle hole, for 31-20 Machine, for 20158 and 44156..... |
| 19419XC | ----- | Throat Plate, small needle hole, for 31-20, for 20158 and 44156..... |
| 19447 | ----- | Oscillating Shaft Crank complete, Nos. 457AL, 1518E, 19449 and 19496..... |

NUMERICAL LIST OF PARTS

| No. | Plate | Name |
|---------|-------|---|
| 19448 | 22305 | Oscillating Shaft Crank Slide Block for 19449..... |
| 19449 | ----- | Oscillating Shaft Crank Slide Block complete, for 19447 and 44135, Nos. 226J, 988C, 12424 and 19448..... |
| 19474 | 22916 | Feed Dog, 14 teeth (16 teeth to the inch) for 19475, 24572 and 26401 for 26402, 35241 and 35325..... |
| 19475XC | 22943 | Throat Plate, large needle hole, for 19474, for 35241..... |
| 19496 | ----- | Oscillating Shaft Crank for 19447.... |
| 20020 | 24075 | Presser Foot for 12455, 12468, 12481, 20158, 20471, 43978 and 44156.... |
| 20023 | ----- | Presser Bar Spring (heavy) .063 wire |
| 20057 | 22304 | Face Plate, for 20058..... |
| 20058 | ----- | Face Plate complete, Nos. 12150, 20057 and 139615..... |
| 20059 | 22306 | Presser Bar Guide Bracket with 453AL. |
| 20060 | 22306 | Slack Thread Regulator..... |
| 20061 | 24077 | Tension Screw Stud Bushing, obsolete.. |
| 20062 | 24077 | Tension Screw Stud Flange, obsolete.. |
| 20063 | 24077 | Tension Screw Stud Flange Collar, obsolete..... |
| 20067 | 22309 | Bed Frame with two each, 16555, 19398, four each 19219, 19220, six each, 14010 wood screws 1 1/4 in. No. 12 and eight 158C..... |
| 20147 | 24060 | Feed Dog, 12 teeth (14 teeth to the inch) for 31-20 Machine, for 19412 and 19413..... |
| 20158 | 24060 | Feed Dog, 16 teeth (16 teeth to the inch) for shirt work, for 31-20 Machine, for 19418 and 19419..... |
| 20188 | 22303 | Needle Bar Crank with 858AL and 1065AL, for 44122..... |
| 20197 | 22303 | Crank Connecting Rod with two 896AL, for 44189..... |
| 20268 | 24075 | Presser Foot Plate for 20270..... |
| 20269 | 24075 | Presser Foot Shank for 20270..... |
| 20270 | 24075 | Presser Foot (hinged) complete, for 44252 and 44253, Nos. 7298, 20268 and 20269..... |
| 20283 | 22303 | Feed and Feed Lifting Eccentric with 446AL, for 44122..... |
| 20284 | 22303 | Feed Forked Connection for 43993.... |
| 20307 | 22335 | Bobbin Winder Frame for 20308..... |
| 20308 | 22335 | Bobbin Winder Frame complete, for 20309, Nos. 333D, 5960, 5961, 5963, 15077 and 20307..... |
| 20309 | 22335 | Bobbin Winder complete, for 12358, Nos. 32D, 180F, 12168, 12170 and 20308..... |
| 20310 | 24075 | Presser Foot Plate for 20311..... |
| 20311 | 24075 | Presser Foot (hinged) complete, for 12455, 12468, 12481, 20147, 20158, 20471, 43978 and 44156, Nos. 19223, 20310 and 62527..... |
| 20314 | 24077 | Tension Releaser, obsolete..... |
| 20333 | ----- | Feed Rock Shaft complete, Nos. 12379 and 29633..... |
| 20342 | 24075 | Presser Foot for 12450, 12455, 12468, 12481, 20158, 20348, 20471, 43978 and 44156..... |

| No. | Plate | Name |
|---------|-------|--|
| 20343 | 24075 | Presser Foot with guide on bottom to right of needle hole for 12450, 12455, 12468, 12481, 20158, 20348, 20471, 43978, 44156, 44252 and 44253 |
| 20344 | 24075 | Presser Foot Plate for 20346..... |
| 20345 | 24075 | Presser Foot Shank for 20346..... |
| 20346 | 24075 | Presser Foot (spring hinged) complete, for 12455, 12468, 12481, 20147, 20471 and 43978, Nos. 20344, 20345, 26231 and 62527..... |
| 20348 | 24067 | Feed Dog, 22 teeth (36 teeth to the inch) for chiffon, for 12451 and 12464..... |
| 20398XC | 24070 | Throat Plate, large needle hole, for 31-15 Machine for 12455..... |
| 20458 | 24075 | Presser Foot, for 12455, 12468, 12481, 20158, 20471, 43978 and 44156.... |
| 20471 | 24070 | Feed Dog, 22 teeth (22 teeth to the inch) for shirt work, beveled for hemmer, for 31-15 Machine, for 139616 and 139617..... |
| 20649 | 22316 | Shuttle Bobbin Case Latch for 20650.. |
| 20650 | ----- | Shuttle Bobbin Case Hinge for 20756, Nos. 2973, 2974 and 20649..... |
| 20654 | 22316 | Shuttle Tension Spring for 20756.... |
| 20756 | 22316 | Shuttle Bobbin Case complete, for 20758, Nos. 591F, 592E, 2975, 20650 and 20654..... |
| 20757 | 22316 | Shuttle Body, for 20758..... |
| 20758 | 22316 | Shuttle, 1 11/16 in. diam., for 31-20 Machine, Nos. 19131, 20756 and 20757..... |
| 23263 | 23249 | Tape Reel Arm Steady Pin for 121412. |
| 24009 | 22317 | Shuttle Race Cap for 24998..... |
| 24036 | 24077 | Feed and Feed Lifting Eccentric Sleeve, obsolete, use 127152..... |
| 24074 | ----- | Shuttle Bobbin Case complete, for 19292, Nos. 591F, 592E, 2975, 15098 and 15141, obsolete, use 62740..... |
| *24104 | ----- | Oscillating Rock Shaft for 24105.... |
| 24105 | 22303 | Oscillating Rock Shaft complete, for 139602, Nos. 4784, 12388 and 24104 |
| 24131 | 22307 | Arm Oil Tube with 52045, for oiling 20283..... |
| 24297 | 22303 | Balance Wheel Oil Cover for use with 2135 and 2862..... |
| 24323 | 22317 | Shuttle Bobbin Case Position Plate for 24325..... |
| 24324 | 22317 | Shuttle Race Body for 24998..... |
| 24325 | 22317 | Shuttle Race complete, for 31-20 Machine, Nos. 907D, 2419, 2533, 24323, 24999 and two 391J..... |
| 24412 | 22307 | Shuttle Bobbin Case Position Plate for 24415..... |
| 24413 | 22307 | Shuttle Race Body for 25000..... |
| 24414 | 22307 | Shuttle Race Cap for 25000..... |
| 24415 | 22307 | Shuttle Race complete, for 31-15 Machine, Nos. 907D, 2531, 2533, 24412, 24962 and two 391J..... |
| 24544 | 24075 | Presser Foot Plate for 24546 and 24983..... |
| 24545 | 24077 | Presser Foot Shank, for 24546, obsolete, use 24982..... |

| No. | Plate | Name |
|---------|-------|--|
| 24546 | 24077 | Presser Foot (spring hinged) complete, for 12481 and 19474, Nos. 24544, 24545, 26231 and 62527, obsolete use 24983..... |
| 24572XC | 24064 | Throat Plate, small needle hole, for 19474, for 35325..... |
| 24962 | ----- | Shuttle Race Body 25000 with two 2532 or 24415..... |
| 24982 | 24075 | Presser Foot Shank for 24983..... |
| 24983 | 24075 | Presser Foot (spring hinged) complete, for 12455, 12468, 12481, 20158, 20471, 43978 and 44156, Nos. 24544, 24982, 26231 and 62527..... |
| 24998 | ----- | Shuttle Race Body, 24324 with 24009 and two 1053E for 24999..... |
| 24999 | ----- | Shuttle Race Body, 24998 with two 2532, for 24325..... |
| 25000 | ----- | Shuttle Race Body 24413 with 24414 and two 1053E, for 24962..... |
| 25644 | 22912 | Binder Bed with 25645 for 25650..... |
| 25645 | ----- | Binder Folder for 25644..... |
| 25646 | 22912 | Binder Folder Guide (lower) with 25855, for 25650, 25653 and 25656 |
| 25647 | 22912 | Binder Folder Guide (upper) for 25650, 25653 and 25656..... |
| 25648 | 22912 | Binder Pressure Spring for 25650, 25653 and 25656..... |
| 25650 | 22912 | Binder (adjustable) Size 1, complete, Nos. 334D, 1577D, 7071, 25644 and 25646 to 25648..... |
| 25651 | 22912 | Binder Bed with 25625 for 25653.... |
| 25652 | ----- | Binder Folder for 25651..... |
| 25653 | 22912 | Binder (adjustable) Size 2, complete, Nos. 334D, 1577D, 7071, 25646 to 25648 and 25651..... |
| 25654 | 22912 | Binder Bed with 25655 for 25656.... |
| 25655 | ----- | Binder Folder for 25654..... |
| 25656 | 22912 | Binder (adjustable) Size 3, complete, Nos. 334D, 1577D, 7071, 25646 to 25648 and 25654..... |
| 25698 | 24060 | Binder Folder for 26694..... |
| 25703 | 24060 | Binder Pressure Spring with 26698 for 26694..... |
| 25705 | 22922 | Binder on Shank, for 3/8 in. tape... |
| 25706 | 22922 | Binder on Shank, for 7/16 in. tape... |
| 25707 | 22922 | Binder on Shank, for 1/2 in. tape... |
| 25708 | 22922 | Binder on Shank, for 9/16 in. tape... |
| 25709 | 22922 | Binder on Shank, for 5/8 in. tape.... |
| 25710 | 22922 | Binder on Shank, for 11/16 in. tape... |
| 25711 | 22922 | Binder on Shank, for 3/4 in. tape.... |
| 25712 | 22922 | Binder on Shank, for 13/16 in. tape... |
| 25713 | 22922 | Binder on Shank, for 7/8 in. tape.... |
| 25714 | 22922 | Binder on Shank, for 15/16 in. tape.. |
| 25715 | 22922 | Binder on Shank, for 1 in. tape..... |
| 25721 | 24061 | Binder Folder, for 26250..... |
| 25722 | 24061 | Binder Ribbon Tension complete, for 26250, 120437 and 120459, Nos. 26614, 26616 and four 26615..... |
| 25733 | 22916 | Binder Folder, for 1/2 in. binding, for 26402..... |
| 25734 | 22916 | Binder Ribbon Tension complete, for 26402, Nos. 26617, 26618 and seven 26486..... |

| No. | Plate | Name |
|---------|-------|---|
| 25855 | ----- | Binder Folder Guide (lower) Screw Stud for 25646..... |
| 25866 | 22337 | Guide, for throat plate flush with bed..... |
| 25873 | 22337 | Guide (combination)..... |
| 25874 | 22337 | Guide, for throat plate raised above bed..... |
| 25983 | 24061 | Presser Foot, for 26250..... |
| 25992 | 22946 | Quilter Guide Holder with two 207F, for 28660..... |
| 26026 | 24059 | Screw Driver (machine) Attachments and Accessories..... |
| 26231 | 24072 | Presser Foot Spring for 20346,24546, 24983 and 28691..... |
| 26250 | 24061 | Binder (English) complete, Nos. 190J, 207F, 25721, 25722, 25983, 121444, 121445XC and two 7071.... |
| 26400 | 22916 | Presser Foot for 26402..... |
| 26401XC | 22916 | Throat Plate for 19474, for 26402... |
| 26402 | 22916 | Binder complete, for cut cloth, Nos. 207F, 19474, 25733, 25734, 26400, 26401XC, two 190J and three 7071 |
| 26485 | 24059 | Screw Driver (shuttle tension) Attachments and Accessories..... |
| 26486 | ----- | Binder Ribbon Tension Pin (straight) for 25734 and 28337..... |
| 26603 | 24063 | Feed Dog, 20 teeth, (16 teeth to the inch) for 26605, for 35208, 35226 and 35863..... |
| 26605XC | 24063 | Throat Plate, large needle hole for 26603 and 121446, for 35208, 35226, 35863 and 120207..... |
| 26614 | ----- | Binder Ribbon Tension Pin (bent) for 25722 and 120123..... |
| 26615 | ----- | Binder Ribbon Tension Pin (straight) for 25722 and 120123..... |
| 26616 | ----- | Binder Ribbon Tension Plate for 25722..... |
| 26617 | ----- | Binder Ribbon Tension Pin (bent) for 25734 and 28337..... |
| 26618 | ----- | Binder Ribbon Tension Plate for 25734..... |
| 26652 | ----- | Hemmer, for 3/32 in. hem, for 26655.. |
| 26653 | ----- | Hemmer Shank for 26655, 26660, 26662, 26664 and 26666..... |
| 26654 | ----- | Hemmer Rivet, for 26655, 26660, 26662, 26664 and 26666..... |
| 26655 | 24074 | Hemmer on Shank complete, Nos. 26652 to 26654..... |
| 26656 | 24074 | Presser Foot, for 26655..... |
| 26659 | ----- | Hemmer, for 26660..... |
| 26660 | 24074 | Hemmer on Shank complete, for 3/32 in. hem for umbrella work, Nos. 26653, 26654 and 26659..... |
| 26661 | ----- | Hemmer (wide) for 26662..... |
| 26662 | 24074 | Hemmer on Shank complete, Nos. 26653, 26654 and 26661..... |
| 26663 | ----- | Hemmer, for 26664..... |
| 26664 | 24074 | Hemmer on Shank complete, for raw edge silk, Nos. 26653, 26654 and 26663..... |
| 26665 | ----- | Hemmer, for 1/8 in. hem, 26666..... |
| 26666 | 24074 | Hemmer on Shank complete, Nos. 26653, 26654 and 26665..... |

| No. | Plate | Name |
|-------|-------|--|
| 26668 | 24068 | Ruffler Driving Lever Spring for 26724..... |
| 26669 | 24068 | Ruffler Frame for 26724..... |
| 26670 | 24068 | Ruffler Guide (left) with 26679 and two 662J for 26724..... |
| 26671 | 24068 | Ruffler Guide (right) with 26679 and two 662J for 26724..... |
| 26675 | 24068 | Ruffler Ruffling Blade for 26724..... |
| 26676 | 24068 | Ruffler Ruffling Blade Clamp for 26724..... |
| 26678 | 24068 | Ruffler Ruffling Blade Lever Disengaging Lever for 26724..... |
| 26679 | 24068 | Ruffler Separating Blade for 26670 and 26671..... |
| 26694 | 24060 | Binder (adjustable) complete, for cap fronts, for 31-20 Machine, Nos. 334J, 1566D, 25698, 25703, 26695 to 26697, two 152F and three 7071 |
| 26695 | 24060 | Binder Bed with 9558, for 26694.... |
| 26696 | 24060 | Binder Guide (lower) with 1141D, and 9780, for 26694..... |
| 26697 | 24060 | Binder Guide (upper) for 26694..... |
| 26698 | 24060 | Binder Pressure Spring Lifting Button for 25703..... |
| 26718 | 24068 | Ruffler Needle Clamp Body for 26719.. |
| 26718 | 24069 | Tucker Needle Clamp Body for 26719.. |
| 26719 | 24068 | Ruffler Needle Clamp complete, for 26724, Nos. 1115F, 1943 and 26718 |
| 26719 | 24069 | Tucker Needle Clamp complete, for 36561, Nos. 1115F, 1943 and 26718 |
| 26722 | 24068 | Ruffler Driving Lever for 26724..... |
| 26723 | 24068 | Ruffler Ruffling Blade Lever for 26724..... |
| 26724 | 24068 | Ruffler (power) complete, with right and left guides, with separating blades and disengaging lever to through ruffling blade out of action, Nos. 102J, 223J, 812B, 1101C, 1621J, 1640C, 2301, 26668 to 26671, 26675, 26676, 26678, 26719, 26722, 26723, two 337J.... |
| 26795 | 24063 | Corder Cord Guide, for 28645 and 120207..... |
| 26796 | 24063 | Corder Cord Guide Arm, for 28645 and 120207..... |
| 27302 | 22333 | Bobbin Winder Frame for 27647 and 27875..... |
| 27303 | ----- | Bobbin Winder Frame Spring for 27647 and 27875..... |
| 27306 | 22333 | Bobbin Winder Spool Pin for 27308... |
| 27307 | 22333 | Bobbin Winder Spool Stand for 27308.. |
| 27308 | 22333 | Bobbin Winder Spool Stand complete, for 27544 and 27876, Nos. 418E, 1562J, 2106, 10141, 11241, 27306, 27307 and two each 2455 and wood screws 1 in. No. 10..... |
| 27312 | 22333 | Bobbin Winder Stop Latch for 27647... |
| 27538 | 22333 | Bobbin Winder Spindle with 15072, for 27647 and 27875..... |
| 27540 | 22333 | Bobbin Winder Base for 27647 and 27875..... |
| 27541 | 22333 | Bobbin Winder Pulley for 27647 and 27875..... |

NUMERICAL LIST OF PARTS

| No. | Plate | Name |
|-------|-------|--|
| 27544 | 22333 | Bobbin Winder (swinging automatic, right hand) complete, for 31-15 Machine, Nos. 27308 and 27647.... |
| 27587 | 24066 | Bobbin Winder Stop Latch for 27875.. |
| 27647 | 22333 | Bobbin Winder, for 27544, Nos. 35D, 1620J, 27302, 27303, 27312, 27538, 27540, 27541, 50356D and two wood screws 1 in. No. 7..... |
| 27875 | 24066 | Bobbin Winder, for 27876, Nos. 35D, 1620J, 27302, 27303, 27538, 27540, 27541, 27587, 50356D and two wood screws 1 in. No. 7..... |
| 27876 | 24066 | Bobbin Winder (swinging automatic, right hand) complete, for 31-20 Machine, Nos. 27308 and 27875.... |
| 28334 | 24062 | Binder Folder, for 28678 and 28776... |
| 28336 | ----- | Binder Ribbon Tension Plate, for 28337..... |
| 28337 | 24062 | Binder Ribbon Tension complete, for 28678 and 28776, Nos. 26617, 28336 and eight 26486..... |
| 28612 | 24075 | Presser Foot for plain stitching.... |
| 28614 | 24075 | Presser Foot for plain stitching.... |
| 28619 | 24065 | Binder (horn) on Shank for 28620..... |
| 28620 | 24065 | Presser Foot for 28619..... |
| 28622 | 24075 | Presser Foot (grooved) for cording... |
| 28627 | 24072 | Hemmer on Shank, for 1/8 in. to 5/8 in. gauges, for Marseilles quilts |
| 28628 | 24072 | Presser Foot for 28627..... |
| 28632 | 22922 | Binder on Shank, to turn edges under. |
| 28635 | 22922 | Binder on Shank, for 7/8 in binding.. |
| 28644 | 24067 | Corder Cord Guide Bed for 28645..... |
| 28645 | 24067 | Corder (adjustable) complete, Nos. 190J, 1044D, 26795, 26796 and 28644..... |
| 28649 | 24068 | Edge Folder on Shank..... |
| 28650 | 24065 | Hemmer on Shank, for hemming heavy Canton flannel..... |
| 28653 | 24074 | Hemmer on Shank, for 2 9/16 in. to 3 in. hem..... |
| 28658 | 22337 | Guide (roller) with 1852..... |
| 28659 | 22946 | Quilter Guide for 28660..... |
| 28660 | 22946 | Quilter complete, Nos. 25992 and 28659..... |
| 28671 | 24067 | Hemstitcher..... |
| 28673 | 24072 | Lap Seam Feller (right hand) on Shank, to fold top only..... |
| 28674 | 24072 | Lap Seam Guide on Shank..... |
| 28676 | 24062 | Presser Foot for 28678 and 28776.... |
| 28678 | 24062 | Binder (English) complete, Nos. 193J, 7071, 28334, 28337, 28676, 121446, 121447XC and two 233J..... |
| 28679 | 24072 | Hemmer Bed with 28681, for 28688.... |
| 28680 | ----- | Hemmer Folder (left) for 28688..... |
| 28681 | ----- | Hemmer Folder (right) for 28679..... |
| 28682 | 24072 | Hemmer Slide with 28687 and two each 2362 and 12152, for 28688..... |
| 28683 | 24072 | Hemmer Slide Cap (left) for 28688.... |
| 28684 | 24072 | Hemmer Slide Cap (right) for 28688.... |
| 28685 | 24072 | Hemmer Folder Disengaging Lever, for 28688..... |
| 28686 | 24072 | Hemmer Slide Spring for 28688..... |
| 28687 | 24072 | Hemmer Slide Spring Cover for 28682.. |

NUMERICAL LIST OF PARTS

| No. | Plate | Name |
|---|-------|--|
| 28688 | 24072 | Hemmer complete, with lever for opening the folder and releasing the hem, so that it can be finished without removing the hemmer from the machine, for shirts, overalls or similar closed articles, Nos. 94D, 28679, 28680, 28682 to 28686, two 207F and three 233J..... |
| 28689 | 24072 | Presser Foot Plate for 28691..... |
| 28690 | 24072 | Presser Foot Shank for 28691..... |
| 28691 | 24072 | Presser Foot (spring hinged) complete, for 28688, Nos. 18055, 26231, 28689 and 28690..... |
| 28693 | 22922 | Binder on Shank, for binding the arm holes in cotton garments..... |
| 28710 | 24068 | Hemmer on Shank for 1/8 in hem..... |
| 28711 | 24065 | Hemmer on Shank with 121843 for 1/8 in. to 1/2 in. hem, for towels... |
| 28715 | 24075 | Presser Foot (tube) for laying fringe-edged brad..... |
| 28721 | 24068 | Hemmer on Shank for 1 1/4 in. to 2 in. hem..... |
| 28725 | 24075 | Presser Foot Spring Guide for 28726. |
| 28726 | 24075 | Presser Foot (right hand, spring guide) with 565J and 28725, for 1/32 in. to 1/4 in. gauges..... |
| Note: When ordering Nos. 28725 or 28726 state required distance from edge of goods to seam. | | |
| 28775XC | 24062 | Throat Plate, for 12370, for 28776.. |
| 28776 | 24062 | Binder (English) complete, for carpets, Nos. 193J, 7071, 12370, 28334, 28337, 28676, 28775XC and two 233J..... |
| 28970 | 24061 | Binder on Shank for bias binding, to turn both edges under..... |
| 28971 | 22337 | Guide for 120428..... |
| 28972 | 22337 | Guide Holder for 120428..... |
| 29549 | 24077 | Tension Releasing Lever, obsolete.... |
| 29599 | 24077 | Arm Oil Tube Packing (felt) for 11119, 12454 and 24131, obsolete..... |
| 29633 | 22305 | Feed Rock Shaft Crank with 157J, for 20333..... |
| 32572 | 22304 | Tension Releasing Disc for 44118.... |
| 32574 | 22304 | Tension Releasing Pin for 44118.... |
| 35002 | 22946 | Presser Foot Extension for 35137.... |
| 35003 | 22946 | Presser Foot Graduated Adjustable Guide (long, left) for 35137 and 121949..... |
| 35004 | 22946 | Presser Foot Graduated Adjustable Guide (long, right) for 35137 and 121949..... |
| 35005 | 22946 | Presser Foot Graduated Adjustable Guide (short, right) for 35137 and 121949..... |
| 35006 | 22946 | Presser Foot Graduated Adjustable Guide (short, right) flush for 35137..... |
| 35062 | 24065 | Binder (horn) on Shank, for 7/8 in. to 1 1/2 in. binding, for tape, for mattresses..... |
| 35063 | 24065 | Presser Foot for 35062..... |
| 35066 | 22943 | Presser Foot for 28693, 35241, 35325 and 35863..... |

NUMERICAL LIST OF PARTS

| No. | Plate | Name |
|---|-------|---|
| 35082 | 24061 | Binder on Shank, for raw edge bias binding, for wrappers, etc..... |
| 35134 | 22946 | Presser Foot with 36698, for 35137... |
| 35135 | 22946 | Presser Foot Graduated Adjustable Guide Clamp for 35137 and 121949. |
| 35136 | 22946 | Presser Foot Graduated Adjustable Guide Clamp Lever for 35137 and 121949..... |
| 35137 | 22946 | Presser Foot with Extension and Graduated Adjustable Guides complete, Nos. 337B, 35002 to 35006 and 35134 to 35136..... |
| 35175 | 24069 | Edge Folder on Shank..... |
| 35176 | 24069 | Presser Foot for 35175..... |
| 35208 | 24063 | Binder on Shank, to turn in both edges, for bias or straight binding, for skirts, wrappers, shirt waists, etc..... |
| 35226 | 24064 | Binder on Shank, for mattress work... |
| 35231 | 24064 | Presser Foot for 35226..... |
| 35241 | 22943 | Hemmer on Shank, for Canton flannel, etc..... |
| 35245 | 24061 | Piping Attachment complete, for piping house dresses, Nos. 1443J and 120977..... |
| 35325 | 24064 | Binder on Shank, to turn top edge only, for shirt bosoms, skirt trimmings, etc..... |
| 35475 | 24068 | Hemmer on Shank for 5/32 in. hem, with right hand lower guide, for lace..... |
| 35562 | 24067 | Presser Foot for 28845..... |
| 35610 | 22337 | Guide Holder Friction Washer for 120428..... |
| 35682 | 24073 | Hemmer (foot) for 1/8 in. hem with guide on bottom to right of needle hole..... |
| 35710 | 24073 | Hemmer (foot) for 3/32 in. hem, with guide on bottom to right of needle hole..... |
| 35863 | 22943 | Hemmer on Shank for canvas work..... |
| 35997 | 24073 | Hemmer (foot) for 3/16 in. hem with guide on bottom to right of needle hole..... |
| 36072 | 24073 | Hemmer (foot) for 1/4 in. hem with guide on bottom to right of needle hole..... |
| 36122 | 24073 | Hemmer (foot) for 7/32 in. hem..... |
| 36182 | 24075 | Presser Foot with 665J and 36183, for blind stitch braiding, for soutache braid..... |
| 36183 | 24075 | Presser Foot Braid Guide for 36182... |
| Note: When ordering 36182 or 36183 send sample of braid for which it is to be used..... | | |
| 36309 | 24073 | Hemmer (foot) for 7/32 in. hem with guide on bottom to right of needle..... |
| 36413 | 24073 | Hemmer (foot) plain bottom for 1/16 in. hem..... |
| 36414 | 24073 | Hemmer (foot) plain bottom for 3/32 in. hem..... |
| 36416 | 24073 | Hemmer (foot) plain bottom for 3/16 in. hem..... |

NUMERICAL LIST OF PARTS

| No. | Plate | Name |
|-------|-------|---|
| 36480 | 24073 | Hemmer (foot) plain bottom for 5/32 in. hem..... |
| 36524 | 24073 | Hemmer (foot) for 5/32 in. hem with guide on bottom to right of needle hole..... |
| 36561 | 24069 | Tucker complete, Nos. 26719, 36655 to 36657, 36660, 36661, 36663, 36667, 120500, 120572 and two each 36658, 50238B and 86354..... |
| 36576 | 24075 | Presser Foot Finger Guard for 36623.. |
| 36622 | 24075 | Presser Foot, for 36623..... |
| 36623 | 24075 | Presser Foot 36622 with 36576 and two 50202J..... |
| 36648 | 24069 | Tucker Tuck Marker Rivet for 36663 (2)..... |
| 36655 | 24069 | Tucker Driving Lever for 36561..... |
| 36656 | 24069 | Tucker Driving Lever Hinge Stud for 36561..... |
| 36657 | 24069 | Tucker Driving Lever Lock Spring for 36561..... |
| 36658 | 24069 | Tucker Driving Lever Lock Spring Rivet for 36561 (2)..... |
| 36660 | 24069 | Tucker Tuck Guide for 36561..... |
| 36661 | 24069 | Tucker Tuck Guide Thumb Screw Washer for 36561..... |
| 36662 | 24069 | Tucker Tuck Marker (lower) for 36663. |
| 36663 | ----- | Tucker Tuck Marker (lower) 36662 with 36664 and two 36648, for 36561.... |
| 36664 | 24069 | Tucker Tuck Marker (upper) for 36663. |
| 36667 | 24069 | Tucker Tuck Smoothing Spring for 36561..... |
| 36696 | 22946 | Presser Foot Graduated Adjustable Guide Clamp Steady Pin for 35134 and 121948..... |
| 36776 | 24065 | Hemmer on Shank for 2 1/4 in. to 3 in. hem..... |
| 36818 | 24071 | Finger Guard for 36821..... |
| 36819 | 24071 | Finger Guard Friction Washer for 36821..... |
| 36820 | 24071 | Finger Guard Holder with 196J for 36821..... |
| 36821 | 24071 | Finger Guard complete, Nos. 36818 to 36820 and 50316J..... |
| 41400 | 24059 | Machine Rest Pin (wood) 3 1/8 in. long (Attachments and Accessories) |
| 41828 | 22333 | Bobbin Winder Spindle Collar Pin for 27538..... |
| 41929 | 22343 | Belt Guard for 41931..... |
| 41930 | 22343 | Belt Guard Hinge for 41931 (2)..... |
| 41931 | 22343 | Belt Guard complete, Nos. 8420, 41929, two 41930 and four wood screws 3/4 in. No. 9..... |
| 43525 | 23249 | Binder Steady Pin for 121398..... |
| 43944 | 22304 | Tension Releasing Lever..... |
| 43945 | 22304 | Tension Spring for 44118..... |
| 43946 | 22304 | Thread Take-up Spring for 44118..... |
| 43976 | 22303 | Feed Lifting Rock Shaft Crank Connecting Rod with two 966E..... |
| 43978 | 24067 | Feed Dog, 24 teeth (22 teeth to the inch) for 12482 and 12483..... |
| 43990 | ----- | Thread Take-up complete, Nos. 775E, 11204, 12404, 12410 and 43997.... |
| 43993 | ----- | Feed Forked Connection complete, Nos. 20284, 52165, 56886 and two each 375C and 1518J..... |

| No. | Plate | Name |
|---------|-------|---|
| 43997 | 22306 | Needle Bar Connecting Link with 794E and 12384, for 43990..... |
| 44118 | 22304 | Tension complete, Nos. 7336, 32572, 32574, 43945, 43946, 44141 and two 2102..... |
| 44122 | ----- | Arm Shaft 12427 with 20188, 20283 and 127152, for 44189..... |
| 44125 | 22305 | Feed Lifting Rock Shaft for 44126... |
| 44126 | 22305 | Feed Lifting Rock Shaft complete, Nos. 12376 and 44125..... |
| 44134 | 22305 | Oscillating Shaft Crank for 44135.... |
| 44135 | 22305 | Oscillating Shaft Crank complete, Nos. 1518E, 19449, 44134 and two 453AL..... |
| 44141 | ----- | Tension Screw Stud 50327C with 1560C, for 44118..... |
| 44156 | 24060 | Feed Dog, 24 teeth (24 teeth to the inch) for 31-20 Machine, for 19418 and 19419..... |
| 44177 | 24060 | Feed Dog, 19 teeth (22 teeth to the inch) for 31-20 Machine 19412 and 19413..... |
| 44189 | ----- | Arm Shaft 44122 with 20197..... |
| 44212 | 24076 | Drip Pan with four 1 in. wire nails, obsolete, use 139622..... |
| 44252 | 22304 | Feed Dog, for cloth, 12 teeth (12 teeth to the inch)..... |
| 44253 | 24067 | Feed Dog, 16 teeth (16 teeth to the inch) for cloth, for 44255 and 44256, for 35245..... |
| 44255XC | 24067 | Throat Plate, small needle hole, for 44252 and 44253, for 35245..... |
| 44256XC | 22304 | Throat Plate, large needle hole, for 44252 and 44253, for 35245..... |
| 45720 | ----- | Face Plate Thread Guard (upper) 45874 with 125373, absolute, use 139615 |
| 45874 | ----- | Face Plate Thread Guard (upper) for 45720 and 139615..... |
| 50190W | 24063 | Guide Thumb Screw (short)..... |
| 50202J | 24075 | Presser Foot Finger Guard Screw for 36623 (2)..... |
| 50236B | 24069 | Tucker Tuck Guide Thumb Screw for 36561..... |
| 50236B | 24069 | Tucker Tuck Marker Clamping Plate Thumb Screw for 36561..... |
| 50302J | 24071 | Finger Guard Holder Set Screw for 120497 and 120858..... |
| 50316J | 24071 | Finger Guard Hinge Screw for 36821.. |
| 50327C | 22304 | Tension Screw Stud for 44141..... |
| 50356D | 22333 | Bobbin Winder Frame Hinge Screw for 27647 and 27875..... |
| 50429AL | 24077 | Thread Retainer Set Screw, obsolete.. |
| 50551J | 22332 | Belt Guard Set Screw for 126365..... |
| 51097J | 23249 | Binder Thumb Screw for 121168..... |
| 51097J | 23249 | Tape Reel Arm Thumb Screw for 121168. |
| 51224J | 22307 | Arm Side Cover Thumb Screw..... |
| 51224J | 22304 | Face Plate Thumb Screw..... |
| 51224W | 22337 | Guide Thumb Screw for 120428..... |
| 52016 | 22306 | Presser Bar Lifter..... |
| 52031 | 24064 | Feed Dog, 19 teeth (22 teeth to the inch) for 52032, for 121801 to 121804, 121798 and 121848..... |
| 52032XC | 24064 | Throat Plate, large needle hole, for 52031, for 121801 to 121804, 121798 and 121848..... |

| No. | Plate | Name |
|----------|-------|--|
| 52045 | 22307 | Arm Oil Tube Packing (braided cotton) for 11119 and 24131..... |
| 52055 | 24063 | Presser Foot for 35208..... |
| 52056 | 24061 | Presser Foot for 35245..... |
| 52165 | 22303 | Feed Connecting Link for 43993..... |
| 52239 | 22307 | Arm Spool Pin and Thread Eyelet..... |
| 52378 | 24077 | Thread Retainer Stud for 52379, obsolete..... |
| 52379 | ----- | Thread Retainer complete, Nos. 52378, 52398, 210958 and 210993, obsolete..... |
| 52398 | 24077 | Thread Retainer Spring for 52379, obsolete..... |
| 52454 | 22304 | Thread Retainer..... |
| 56813 | ----- | Feed Bar Screw Center 313C with 1519J (2)..... |
| 56814 | ----- | Feed Lifting Rock Shaft Screw Center 307C with 1513J (2)..... |
| 56814 | ----- | Feed Rock Shaft Screw Center 307C with 1513J (2)..... |
| *56827 | ----- | Clamp Stop Motion Flanged Bushing 3023 with 256J..... |
| 56848 | ----- | Bell Crank 5596 with 5599 and 5601 for 5598..... |
| 56886 | ----- | Feed Regulator 3039 with 818D, for 43993..... |
| 62527 | 24075 | Presser Foot Hinge Pin for 20311 20346, 24546, 24983 and 121946... |
| 62740 | 22306 | Shuttle Bobbin Case complete, for 19292, Nos. 591F, 592E, 2975, 15141 and 15278..... |
| 86354 | 24069 | Tucker Tuck Smoothing Spring Rivet for 36561 (2)..... |
| 120001 | 24077 | Feed Dog (spiked teeth) 12 teeth (10 teeth to the inch) obsolete, superseded by 121446, not interchangeable..... |
| 120120 | 22918 | Binder Folder with 865J and 120121, for 120127..... |
| 120121 | 22918 | Binder Fold Guide for 120120..... |
| 120122 | ----- | Binder Ribbon Tension Plate for 120123..... |
| 120123 | 22918 | Binder Ribbon Tension complete, for 120127, Nos. 26614, 120122 and six 26615..... |
| 120124 | 22918 | Feed Dog, 6 teeth (16 teeth to the inch) for 120126, for 120127..... |
| 120125 | 22918 | Presser Foot for 120127..... |
| 120126XC | 22918 | Throat Plate for 120124, for 120127.. |
| 120127 | 22918 | Binder (English) complete, Nos. 220J, 7806, 120120, 120123 to 120126XC and two each 190J and 7071..... |
| 120143 | 24064 | Presser Foot Plate for 120144..... |
| 120144 | 24064 | Presser Foot (hinged) complete, for 35208, 35241 and 35325, Nos. 7298, 19335 and 120143..... |
| 120206 | 24063 | Corder Gord Guide Bed with 457AL, for 120207..... |
| 120207 | 24063 | Corder (adjustable) complete, for short turns on cushions, Nos. 190J, 1044D, 26795, 26796 and 120206..... |
| 120208 | 24063 | Presser Foot (grooved) for 120207.... |
| 120338 | 24065 | Hemmer for 120340..... |

| No. | Plate | Name |
|----------|-------|---|
| 120339 | 24065 | Hemmer Shank for 120340..... |
| 120340 | 24065 | Hemmer (adjustable) on Shank, complete, for 1/2 in. to 2 in. hem, Nos. 120338, 120339 and two 1443J. |
| 120342 | 24059 | Oiler (copper plated) with 120343 (Attachments and Accessories).... |
| 120343 | 24059 | Oiler Spout, 3 1/2 in. long for 120342..... |
| 120427 | 22337 | Guide Holder Shank for 120428..... |
| 120428 | 22337 | Guide (adjustable, hinged) complete, Nos. 940W, 7071, 28971, 28972, 35610, 51224W and 120427..... |
| 120433 | 22916 | Binder Folder for 120437 and 120459. |
| 120434 | 22916 | Feed Dog, 7 teeth (16 teeth to the inch) for 120436, for 120437 and 120459..... |
| 120435 | 22916 | Presser Foot for 120437..... |
| 120436XC | 22916 | Throat Plate for 120434, for 120437 and 120459..... |
| 120437 | 22916 | Binder (English) complete, for awnings, Nos. 190J, 207F, 25722, 120433 to 120436XC and two 7071. |
| 120458 | 22918 | Presser Foot for 120459..... |
| 120459 | 22918 | Binder (English) for slip covers and general work, Nos. 190J, 207F, 25722, 120433, 120434, 120436XC, 120458 and two 7071..... |
| 120479 | 22946 | Quilter Guide (left) for 120485..... |
| 120480 | 22946 | Quilter Guide (right) for 120485..... |
| 120481 | 22946 | Quilter Guide Bracket for 120482.... |
| 120482 | ----- | Quilter Guide Bracket 120481 with 120483 and two 209C, for 120485.. |
| 120483 | 22946 | Quilter Guide Disengaging Sleeve for 120482..... |
| 120484 | 22946 | Quilter Guide Disengaging Sleeve Spring for 120485..... |
| 120485 | 22946 | Quilter complete, Nos. 802D, 120479, 120480, 120482 and 120484..... |
| 120496 | 24071 | Finger Guard for 120498..... |
| 120497 | 24071 | Finger Guard Holder with 50302J, for 120498 and 121335..... |
| 120498 | 24071 | Finger Guard complete, Nos. 236J, 120496 and 120497..... |
| 120500 | 24069 | Tucker Frame for 36561..... |
| 120536 | 23249 | Tape Reel Disc, with 120538 and 120539..... |
| 120537 | 23249 | Tape Reel Disc Pin for 121412..... |
| 120538 | 23249 | Tape Reel Disc Stud (wood) for 120536 |
| 120539 | 23249 | Tape Reel Disc Stud Sleeve (brass) for 120536..... |
| 120572 | 24069 | Tucker Tuck Marker Clamping Plate for 36561..... |
| 120803 | 24073 | Hemmer (foot) for 1/8 in. hem..... |
| 120804 | 24073 | Hemmer (foot) for 5/32 in. hem..... |
| 120805 | 24073 | Hemmer (foot) for 3/16 in. hem..... |
| 120806 | 24073 | Hemmer (foot) for 1/4 in. hem..... |
| 120807 | 24073 | Hemmer (foot) for 5/16 in. hem..... |
| 120837 | 24073 | Hemmer (foot) plain bottom, for 1/8 in. hem, slotted for lace..... |
| 120856 | 24071 | Finger Guard for 120859..... |
| 120857 | 24071 | Finger Guard for 120860..... |
| 120858 | 24071 | Finger Guard Holder with 50302J, for 120859, 120860 and 121619..... |

| No. | Plate | Name |
|----------|-------|--|
| 120859 | 24071 | Finger Guard complete, Nos. 120856, 120858 and two 236J..... |
| 120860 | 24071 | Finger Guard complete, Nos. 120857, 120858 and two 236J..... |
| 120898 | 24073 | Hemmer (foot) for 1/16 in. to 1/8 in. hem, for China silk, etc..... |
| 120911 | 24073 | Hemmer (foot with shell hemmer) for 5/32 in. to 1/4 in. hem, for China silk, etc..... |
| 120938 | 24073 | Hemmer (foot) for 3/32 in. hem..... |
| 120977 | 24061 | Piping Attachment for 35245..... |
| 121167 | 23249 | Binder Folder on Shank, for 121168... |
| 121168 | 23249 | Binder (transverse) on Shank complete, for folded or unfolded bias binding, with tape reel, for general work, for 3/4 in., 7/8 in. and 1 in. tape, Nos. 3146, 120536, 121167, 121169, 121397, 121398XC, 121412 and two 51097J..... |
| 121169 | 23249 | Presser Foot for 121168..... |
| 121334 | 24071 | Finger Guard for 121335..... |
| 121335 | 24071 | Finger Guard complete, Nos. 236J, 120497 and 121334..... |
| 121397 | 23249 | Feed Dog, 18 teeth (16 teeth to the inch) for 121398, for 121168.... |
| 121398XC | 23249 | Throat Plate with 43525, for 121397, for 121168..... |
| 121412 | 23249 | Tape Reel Arm with 8879, 23263 and 120537, for 121168..... |
| 121444 | 24061 | Feed Dog, 13 teeth (16 teeth to the inch) for 121445, for 26250..... |
| 121445XC | 24061 | Throat Plate for 121444, for 26250.. |
| 121446 | 24062 | Feed Dog (spiked teeth) 13 teeth (10 teeth to the inch) for 26605 and 121447, for 28678, 35226 and 120207..... |
| 121447XC | 24062 | Throat Plate for 121446, for 28678 |
| 121618 | 24071 | Finger Guard for 121619..... |
| 121619 | 24071 | Finger Guard complete, when machine is fitted with a Roller Presser, Nos. 120858, 121618 and two 236J. |
| 121758 | 24073 | Feed Dog, 13 teeth (16 teeth to the inch) for 121759 for 121760.... |
| 121759XC | 24073 | Throat Plate, small needle hole, for 121758 for 121760..... |
| 121760 | 24073 | Hemmer (foot) for 1/8 in. hem for hemming shirts, for 121758 and 121759..... |
| 121761 | 24073 | Hemmer (foot) for 1/8 in. hem, for hemming shirts..... |
| 121762 | 24073 | Hemmer (foot) for 5/32 in. hem, for hemming shirts..... |
| 121798 | 24064 | Hemmer (foot) for 1/8 in. hem, for hemming shirts, for 44252, 44256, 52031 and 52032..... |
| 121801 | 24064 | Hemmer (foot) for 1/8 in. hem, for hemming shirts, for 44252, 44256, 52031 and 52032..... |
| 121802 | 24064 | Hemmer (foot) for 5/32 in. hem, for hemming shirts, for 44252, 44256, 52031 and 52032..... |
| 121803 | 24064 | Hemmer (foot) wide folder, for 3/16 in. hem, for hemming shirts, for 44252, 44256, 52031 and 52032.... |

NUMERICAL LIST OF PARTS

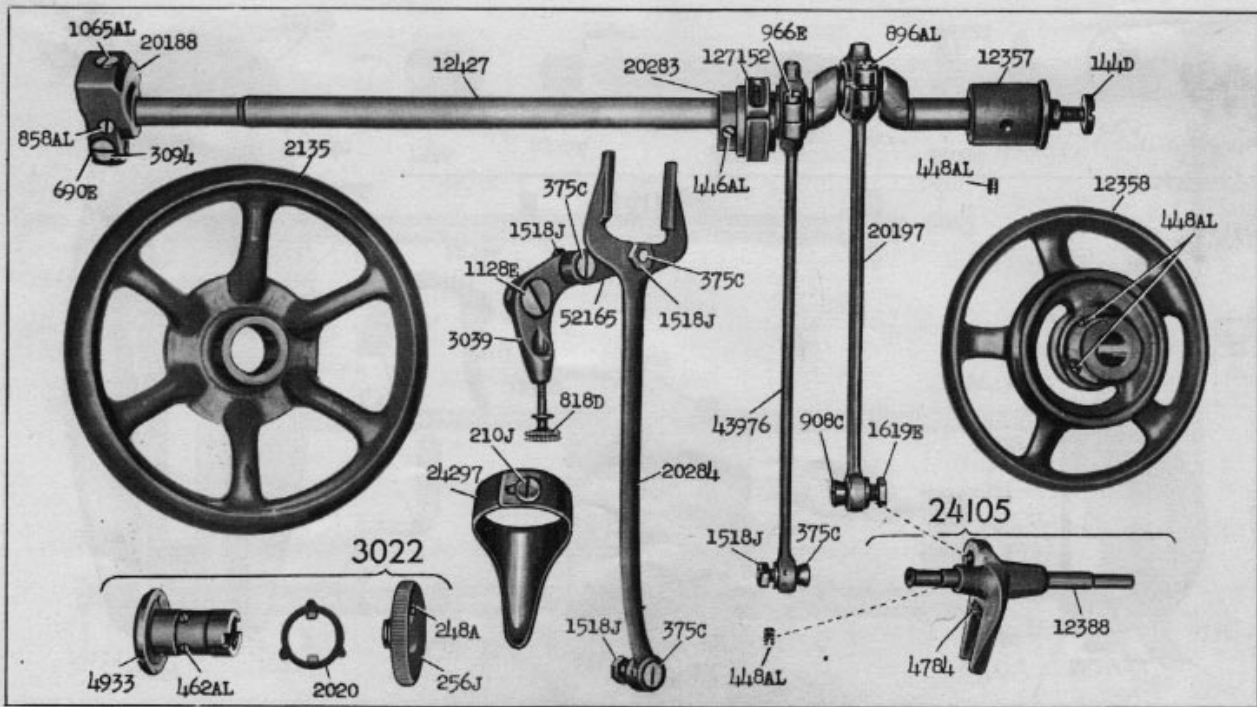
| No. | Plate | Name |
|----------|-------|--|
| 121804 | 24064 | Hemmer (foot) narrow folder, for 3/16 in. hem, for hemming shirts, for 44252, 44256, 52031 and 52032.... |
| 121843 | ----- | Hemmer for 28711..... |
| 121848 | 24064 | Hemmer (foot) for 3/32 in. hem, for hemming shirts, for 44252, 44256, 52031 and 52032..... |
| 121941 | 24075 | Presser Foot for No. 5 Slide Fastener, for stitching at right or left of slide fastener, for heavy woolen suiting and dresses, for 12455, 12468, 12481, 20158, 20471, 43978 and 44156..... |
| 121943 | 24075 | Presser Foot Plate for 121946..... |
| 121944 | 24075 | Presser Foot Shank for 121946..... |
| 121945 | 24075 | Presser Foot Spring for 121946..... |
| 121946 | 24075 | Presser Foot complete, for No. 5 Slide Fastener, for stitching at right or left of slide fastener, for crossing seams, for 12455, 12468, 12481, 20158, 20471, 43978 and 44156, Nos. 62527 and 121943 to 121945..... |
| 121948 | 24075 | Presser Foot with 36698, for 121949.. |
| 121949 | 24075 | Presser Foot with Graduated Adjustable Guides complete, for No. 3 and No. 5 Slide Fastener, for making various margins up to 1/2 inch between the slide fastener and the line of stitching, for 12455, 12468, 12481, 20158, 20471, 43978 and 44156, Nos. 337B, 35003 to 35005, 35135, 35136 and 121948 |
| 125373 | ----- | Face Plate Thread Guard (upper) Rivet for 45720..... |
| 125424 | 22304 | Face Plate Thread Guard (upper) Rivet for 139615..... |
| 126356 | 22332 | Belt Guard for 126365..... |
| 126363 | 22332 | Belt Guard Bracket for 126365..... |
| 126364 | 22332 | Belt Guard Extension for 126365..... |
| 126365 | 22332 | Belt Guard (adjustable) complete, for Bench Stand, Nos. 162D, 1480D, 9331, 50551J, 126356, 126363, 126364, and two wood screws 1 in. No. 10..... |
| 127152 | 22303 | Feed and Feed Lifting Eccentric Sleeve, for 44122..... |
| 127312 | 22338 | Rock Shaft Hanger (back) with two wood screws 1 in. No. 10 P.H., for 139624..... |
| 132590 | 22307 | Arm Oil Tube Packing (braided cotton) for 12454..... |
| 139602 | ----- | Oscillating Rock Shaft 24105 with 908C..... |
| 139615 | 22304 | Face Plate Thread Guard (upper) 45874 with 125424, for 20058..... |
| 139616XC | 24070 | Throat Plate (large needle hole) for 31-15 Machine, for 12468 and 20471 |
| 139617XC | ----- | Throat Plate (small needle hole) for 31-15 Machine for 12468 and 20471 |
| 139622 | 22341 | Drip Pan with four 1 in. wire nails.. |
| 139623 | 22338 | Rock Shaft Lifting Bracket Hook for 139633..... |

NUMERICAL LIST OF PARTS

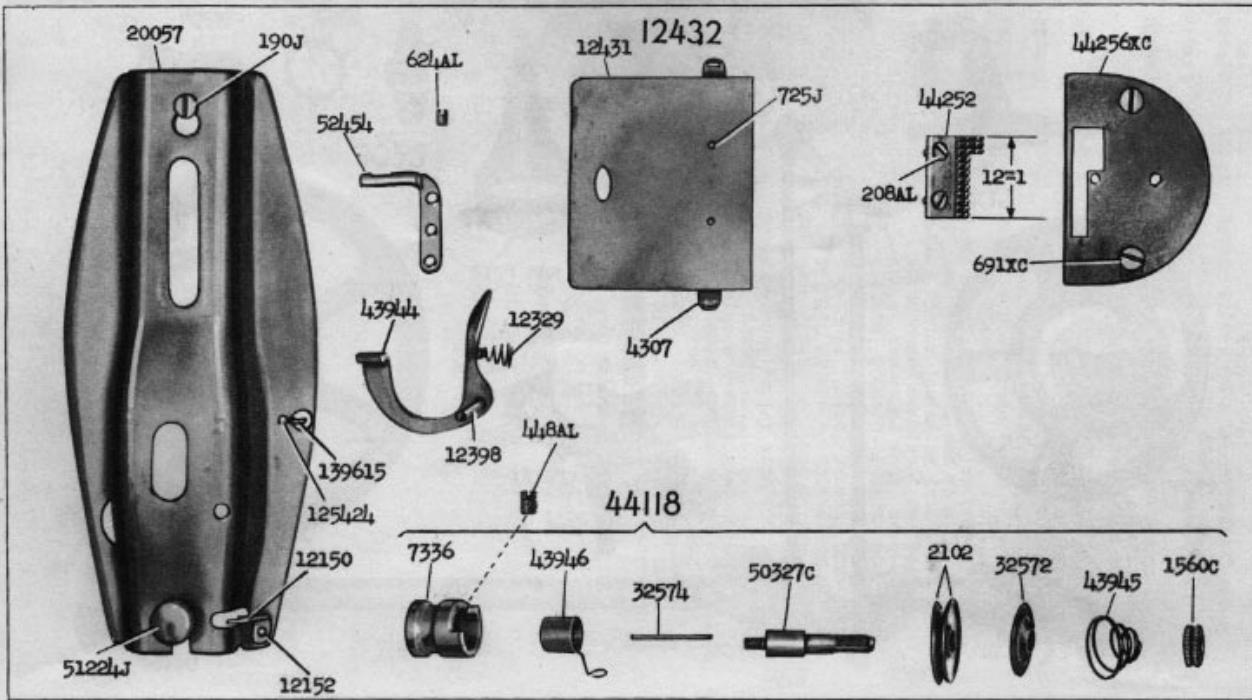
| No. | Plate | Name |
|---------|-------|--|
| 139624 | 22338 | Rock Shaft complete, for 139626, Nos. 2768, 12242, 127312 and 139633... |
| 139625 | 22338 | Rock Shaft complete, for 139627, Nos. 2768, 139633 and two 7539..... |
| 139626 | ----- | Knee Lifter complete (power table) Nos. 76D, 766E, 802D, 1521J, 5598, 12237, 12240, 12241, 12415, 12416, 139624 and two 178E..... |
| 139627 | ----- | Knee Lifter complete (individual motor and foot power stands) Nos. 76D, 766E, 802D, 1521J, 5598, 12237, 12240, 12241, 12415, 12416, 139625 and two 178E..... |
| 139631 | ----- | Balance Wheel (power) "V" belt groove (outside diam. of belt groove 2.9 in.) with two 443AL..... |
| 139633 | ----- | Rock Shaft 2763 with 2770, 6337 and 139623, for 139624 and 139625.... |
| 140219C | 22338 | Rock Shaft Stop Dog Set Screw for 2770..... |
| 200056E | 23253 | Bobbin Winder Stop Latch Screw for 259431 and 259462..... |
| 200082D | 23253 | Bobbin Winder Tension Bracket Screw for 259431 and 259462..... |
| 200113F | 23253 | Bobbin Winder Brake Clamp Screw for 259431 and 259462..... |
| 200299H | 23253 | Bobbin Winder Stop Latch Trip Lever Hinge Screw for 259431 and 259462..... |
| 200380C | 23253 | Bobbin Winder Pulley Set Screw for 225368 and 259461..... |
| 201499B | 23253 | Bobbin Winder Tension Stud for 225461..... |
| 201572B | 23253 | Bobbin Winder Tension Stud Thumb Nut for 225462..... |
| 202277 | 23253 | Bobbin Winder Frame Oil Packing (wick) for 225453..... |
| 202478 | 23253 | Bobbin Winder Stop Latch Trip Lever for 259431 and 259462..... |
| 210958 | ----- | Thread Retainer Collar for 52379 obsolete..... |
| 210993 | ----- | Thread Retainer Sleeve for 52379 obsolete..... |
| 225368 | 23253 | Bobbin Winder Pulley with 200380C for 259431..... |
| 225381 | 23253 | Bobbin Winder Spindle for 259431 and 259462..... |
| 225438 | 23253 | Bobbin Winder Frame Oil Well Cap for 225453..... |
| 225444 | 23253 | Bobbin Winder Stop Latch for 259431 and 259462..... |
| 225453 | 23253 | Bobbin Winder Frame with 202277 and 225438 for 259431 and 259462..... |
| 225454 | 23253 | Bobbin Winder Frame Hinge Pin for 259431 and 259462..... |
| 225455 | 23253 | Bobbin Winder Frame Spring for 259431 and 259462..... |
| 225456 | 23253 | Bobbin Winder Frame Spring Plunger for 259431 and 259462..... |
| 225458 | 23253 | Bobbin Winder Stop Latch Thumb Lever for 259431 and 259462..... |
| 225459 | 23253 | Bobbin Winder Stop Latch Thumb Lever Hinge Stud for 259431 and 259462. |

NUMERICAL LIST OF PARTS

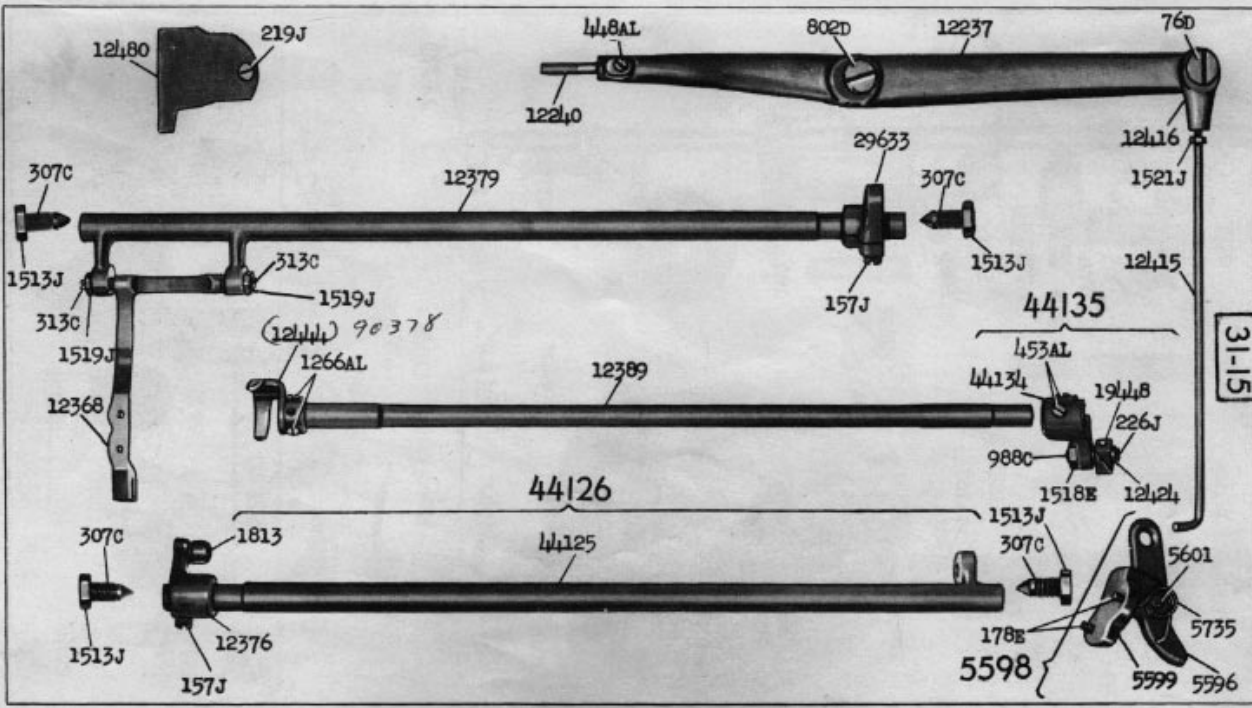
| No. | Plate | Name |
|--------|-------|---|
| 225459 | 23253 | Bobbin Winder Stop Latch Thumb Lever Joint Stud for 259431 and 259462 |
| 225461 | 23253 | Bobbin Winder Tension Bracket with 201499B, for 225462..... |
| 225462 | 23253 | Bobbin Winder Tension Bracket com- plete for 259431 and 259462, Nos. 13710, 201572B, 225461 and two 2102..... |
| 228026 | 23253 | Bobbin Winder Tension Bracket Screw Washer for 259431 and 259462.... |
| 259428 | 23253 | Bobbin Winder Brake (leather) for 259431 and 259462..... |
| 259429 | 23253 | Bobbin Winder Brake Clamp for 259431 and 259462..... |
| 259430 | 23253 | Bobbin Winder and Tension Bracket Base for 259431 and 259462..... |
| 259431 | 23253 | Bobbin Winder (swinging automatic, right hand) complete, for power table, for round belt, Nos. 200056E, 200082D, 200113F, 200299H, 202478, 225368, 225381, 225444, 225453 to 225456, 225458, 225462, 228026, 259428 to 259430 and two each 225459 and wood screws 3/4 in. No. 12 R.H.B..... |
| 259461 | 23253 | Bobbin Winder Pulley with 200380C, for 259462..... |
| 259462 | 23253 | Bobbin Winder (swinging automatic, right hand) complete, for power table, for "v" belt, Nos. 200056E, 200082D, 200113F, 200299H, 202478, 225381, 225444, 225453 to 225456, 225458, 225462, 228026, 259428 to 259430, 259461 and two each 225459 and wood screws 3/4 in. No. 12 R.H.B..... |



22303 - 1/3



22304 - 1/2

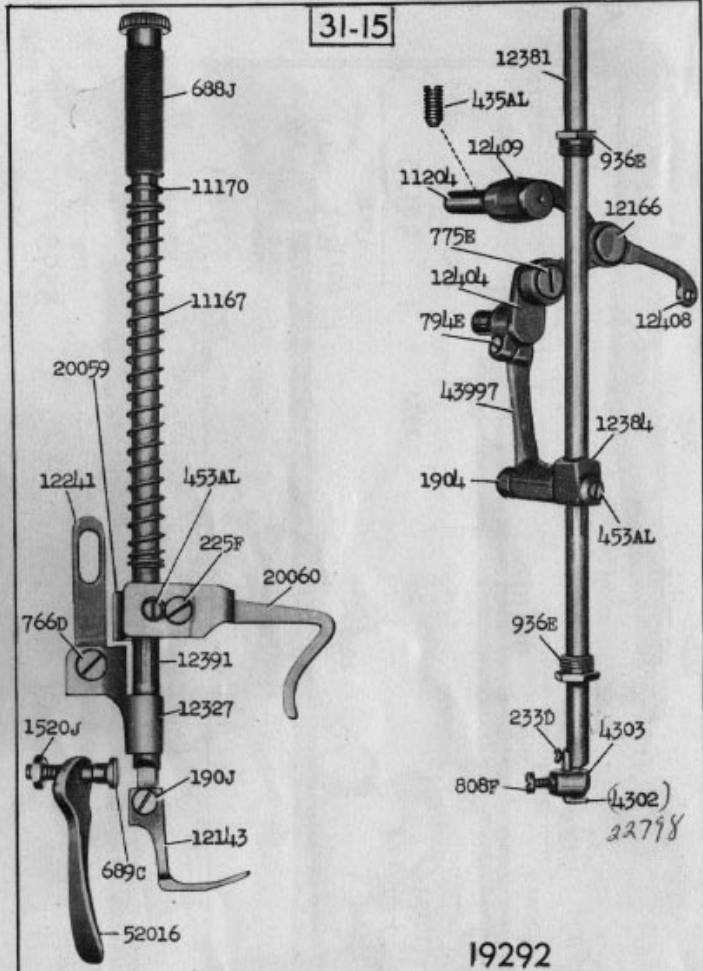


31-15

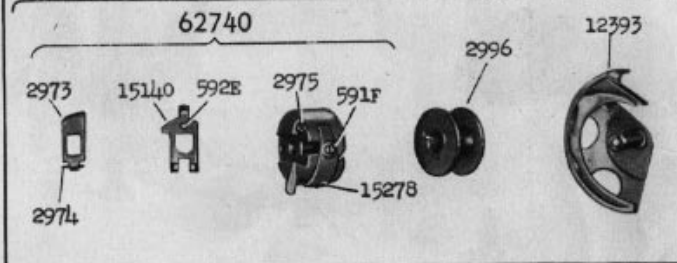
22305 - 1/3

22306 - 1/2

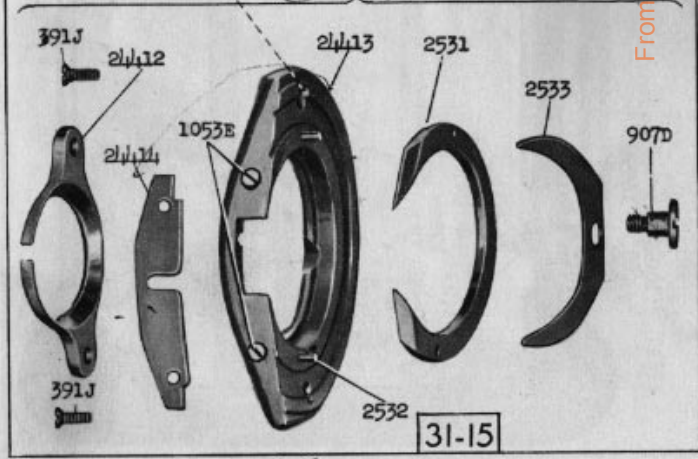
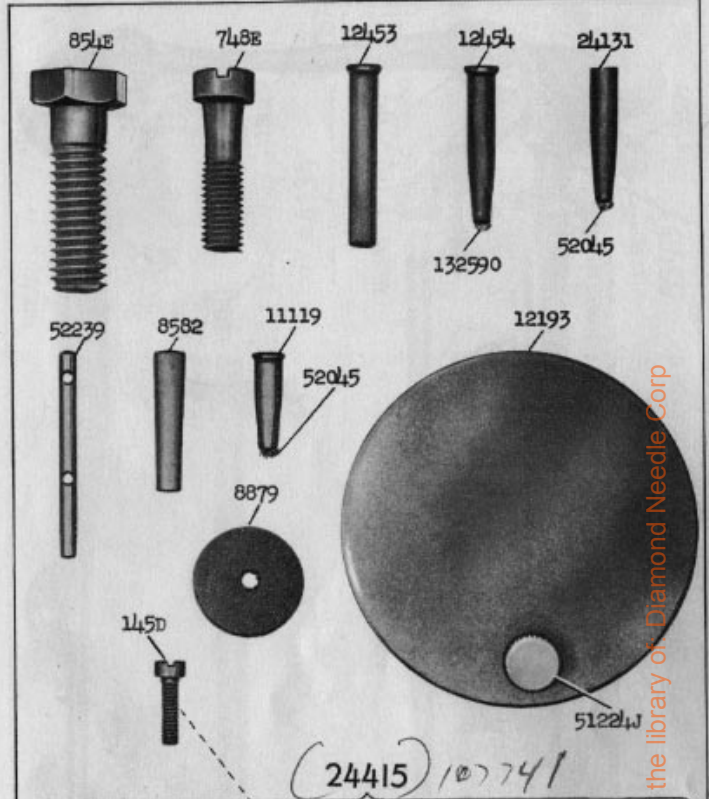
31-15



19292



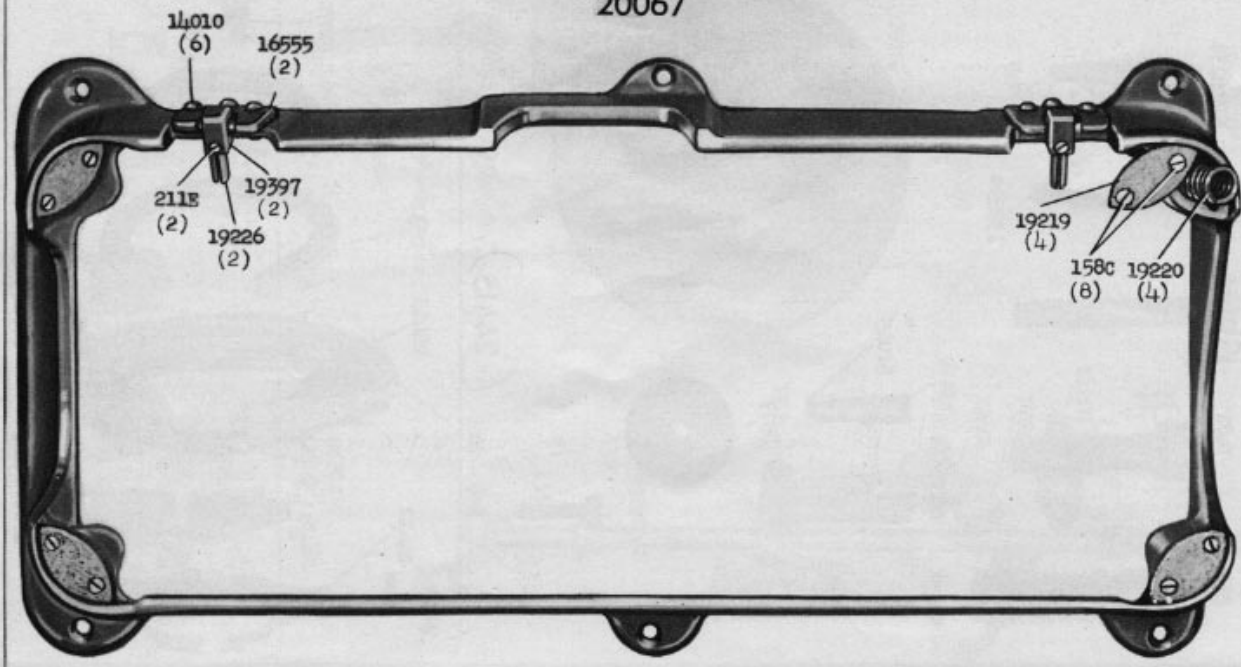
22307 - 2/3



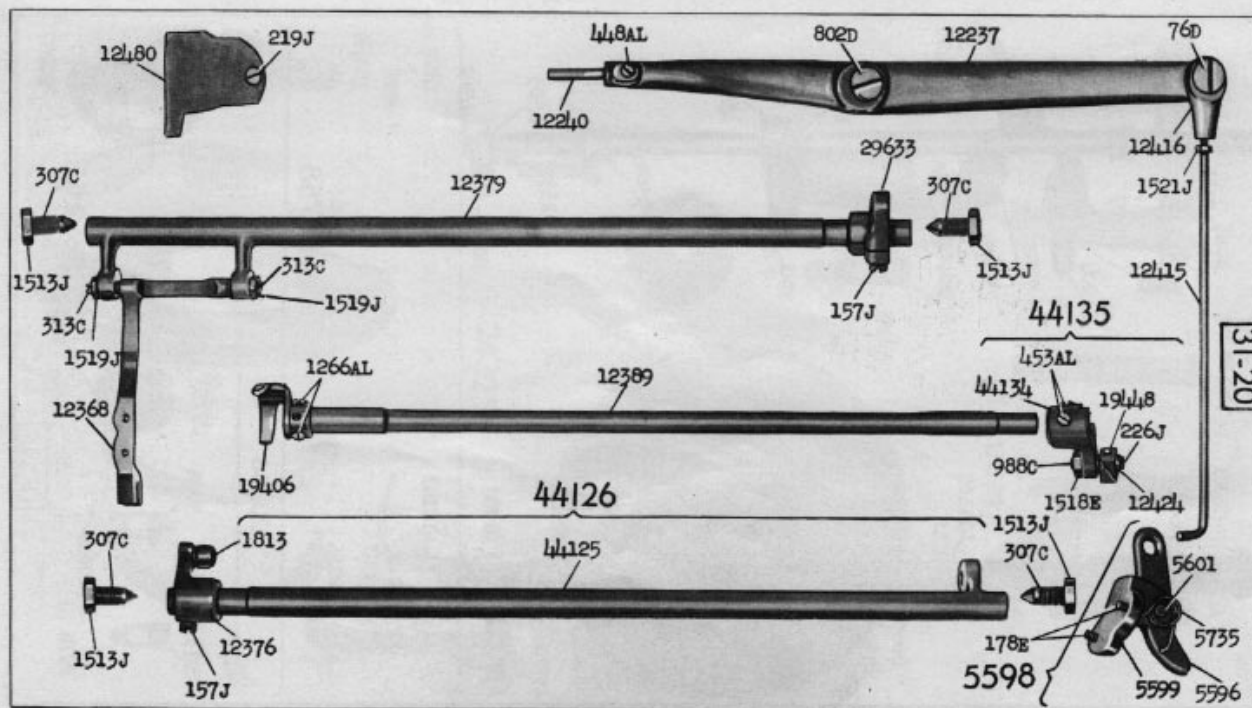
Stal Race 139643

From the library of Diamond Needle Corp

20067



22309 - 1/3

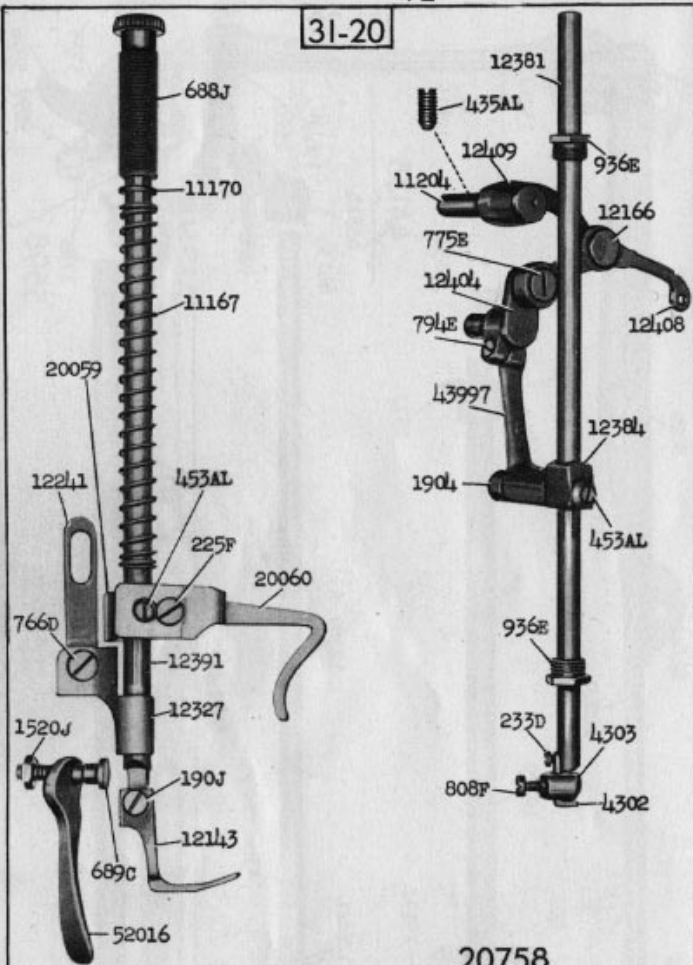


31-20

22315 - 1/3

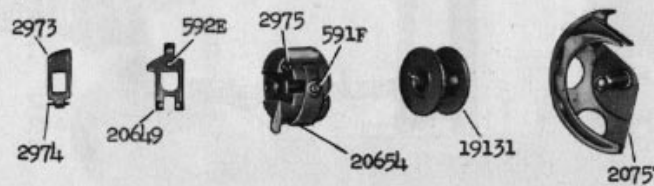
22316 - 1/2

31-20

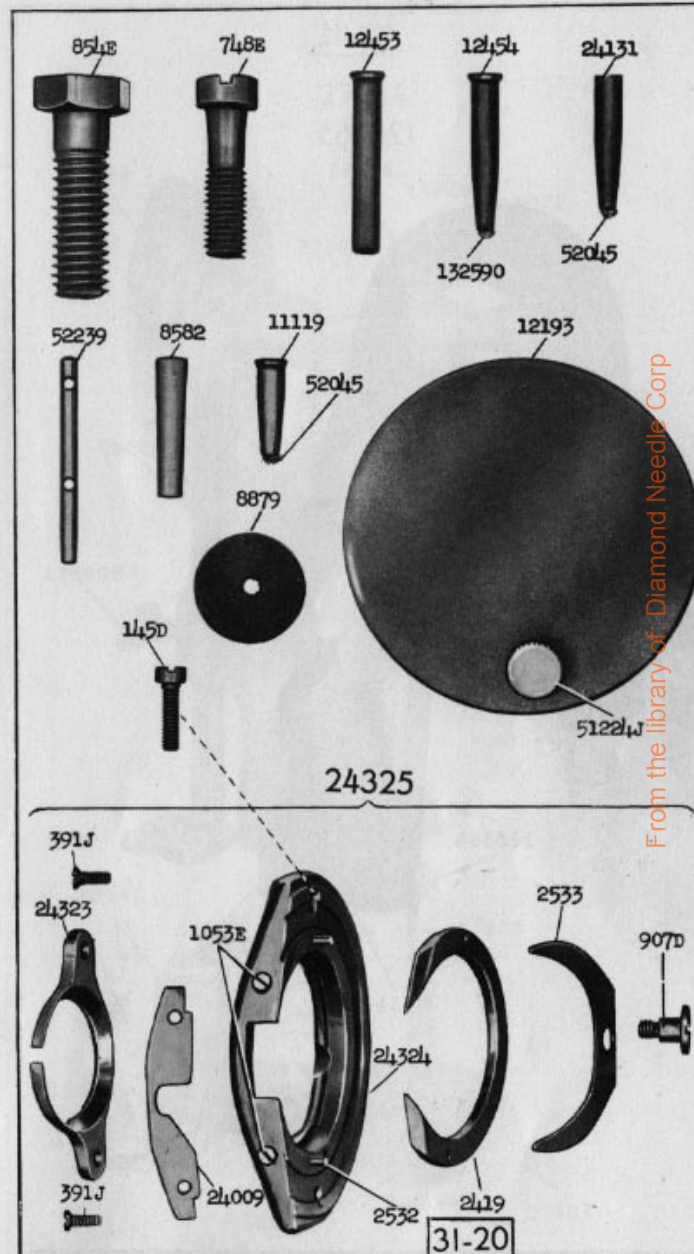


20758

20756



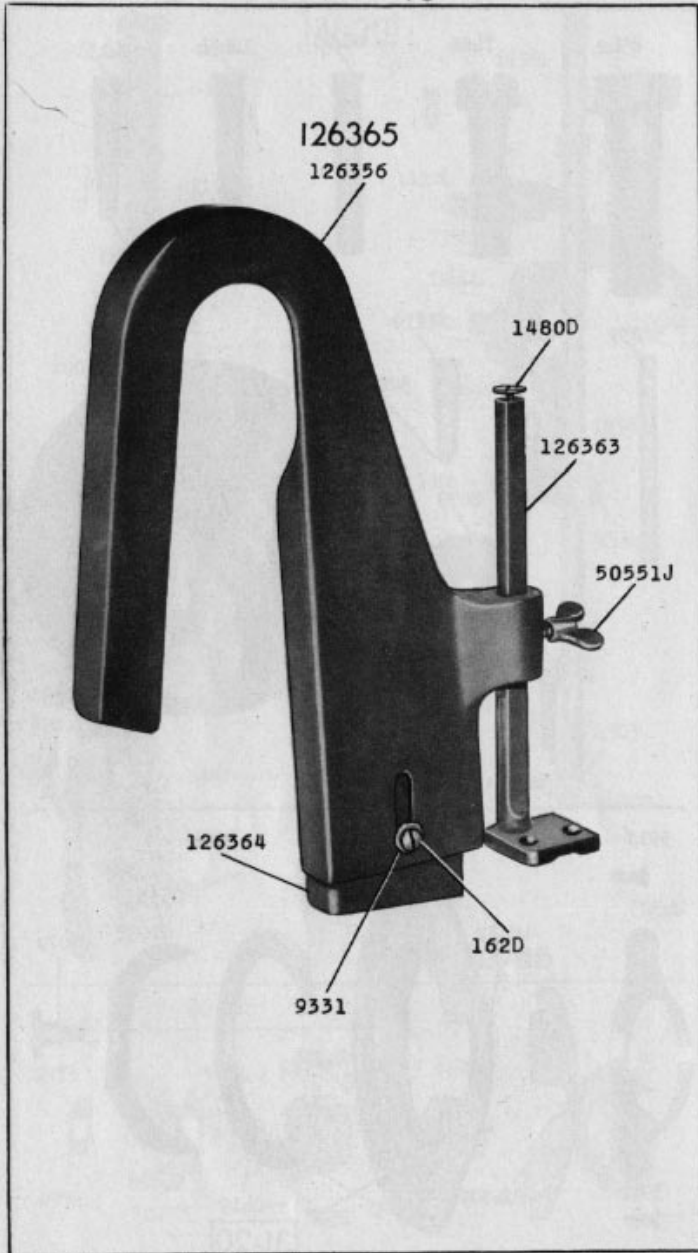
22317 - 2/3



31-20

From the library of Diamond Needle Corp

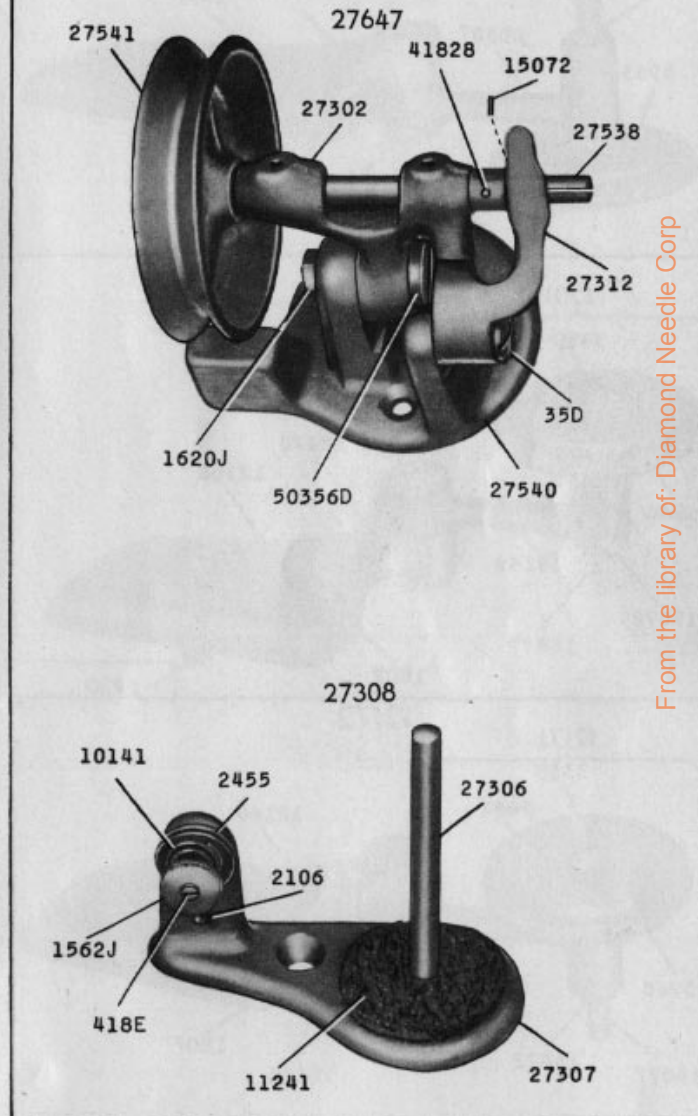
22332 - 1/3



22333 - 2/3

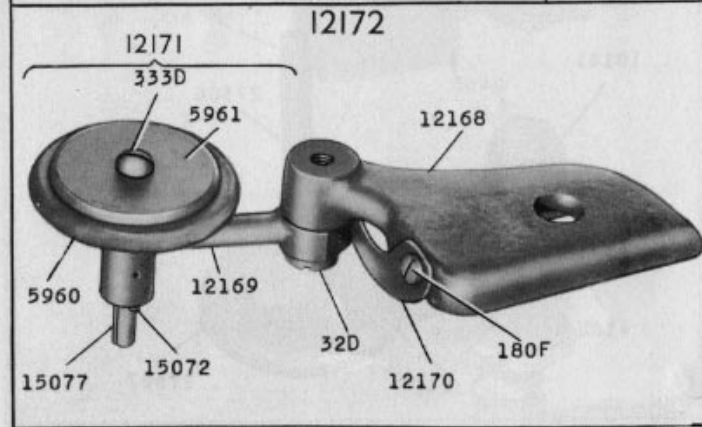
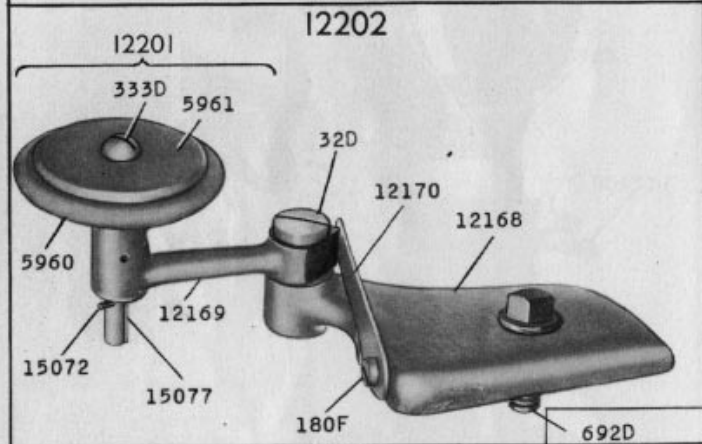
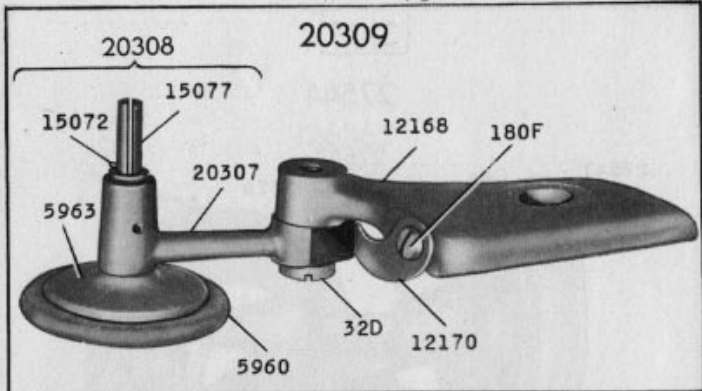
31-15

27544

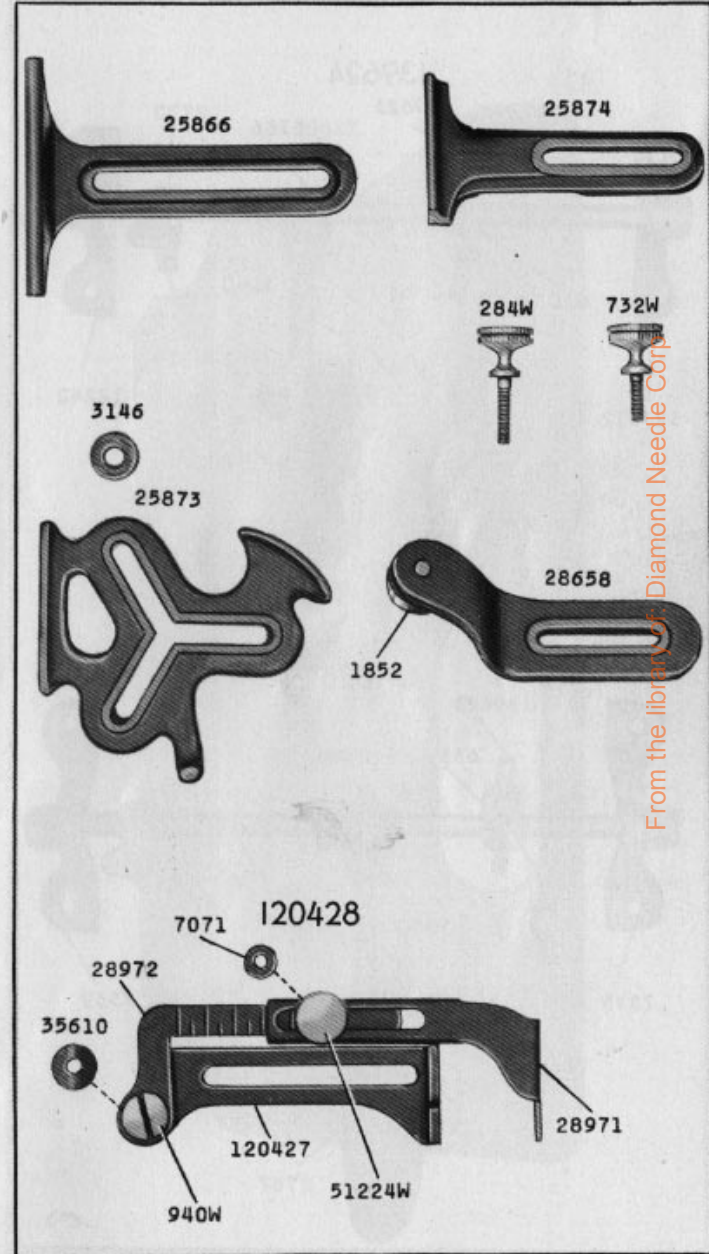


From the library of: Diamond Needle Corp

22335 - 2/3



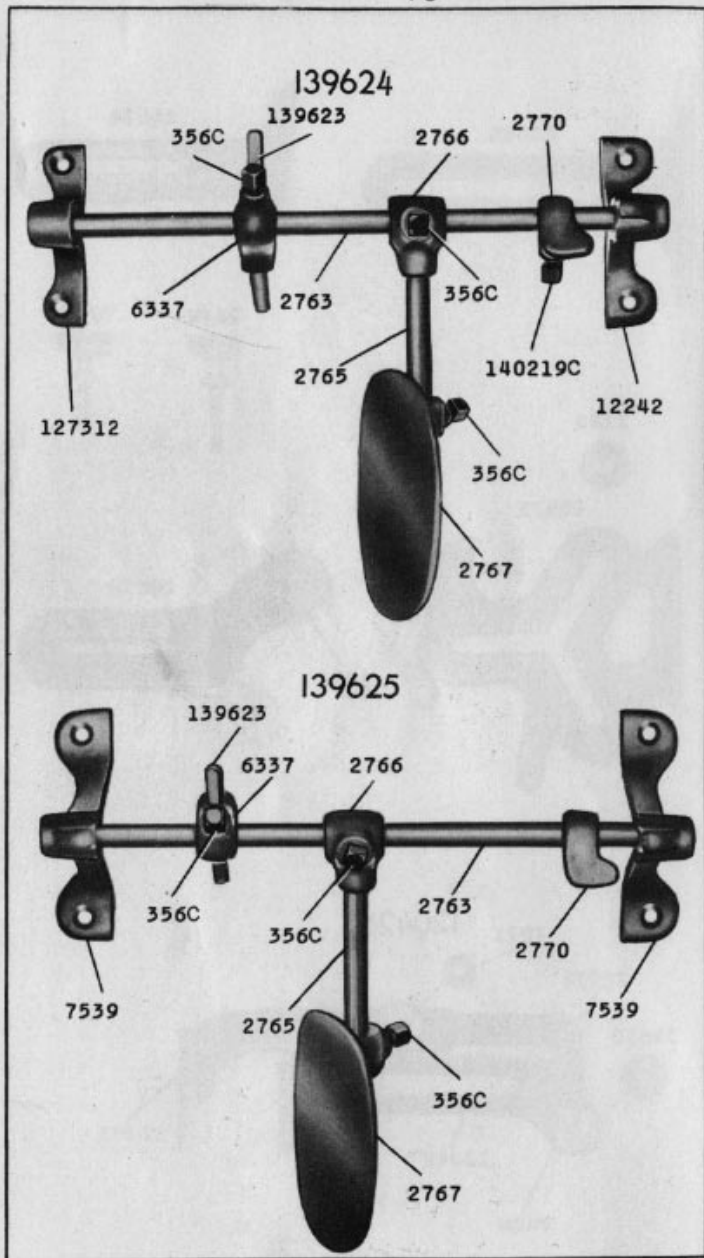
22337 - 2/3



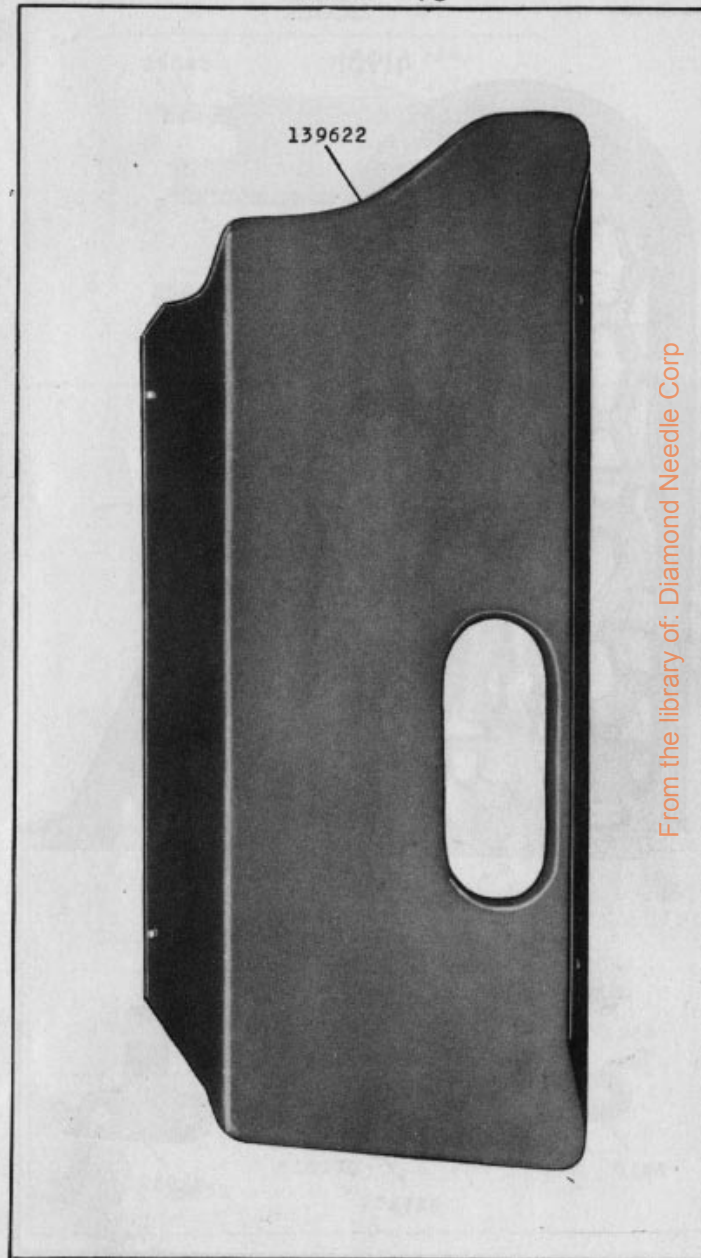
From the library of Diamond Needle Corp.

8930-7

22338 - 1/3



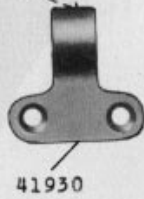
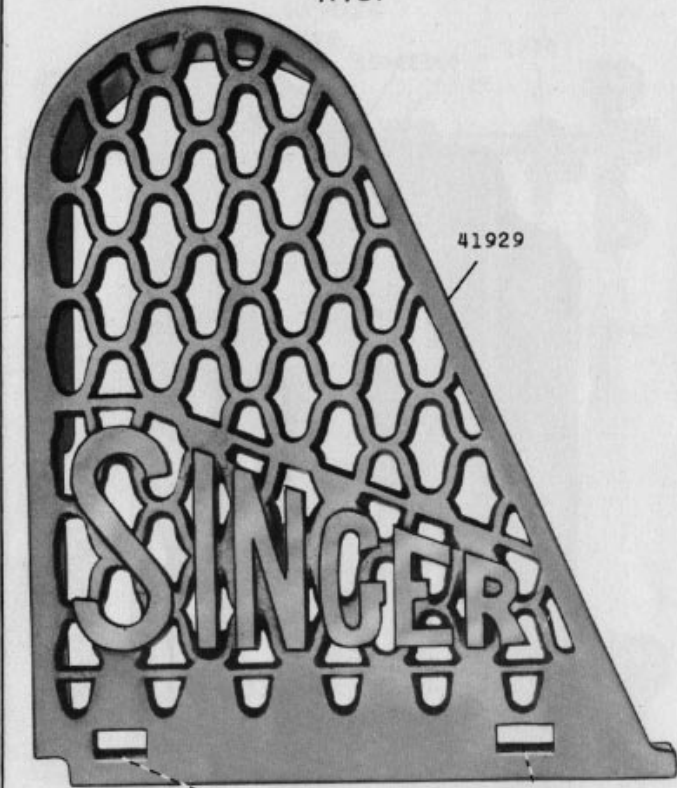
22341 - 1/3



From the library of: Diamond Needle Corp

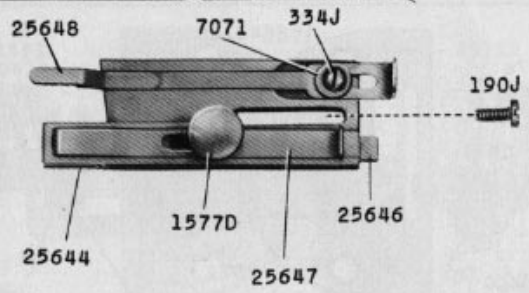
22343 - 1/2

41931

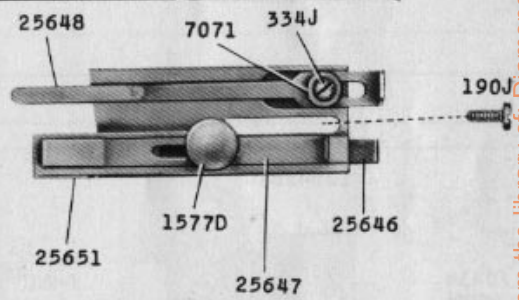


22912 - 2/3

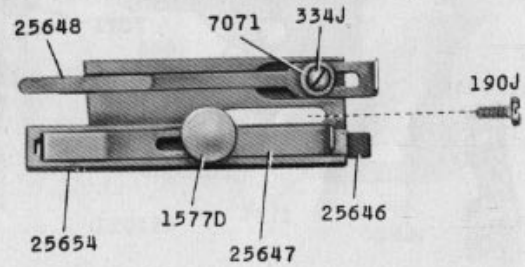
25650



25653



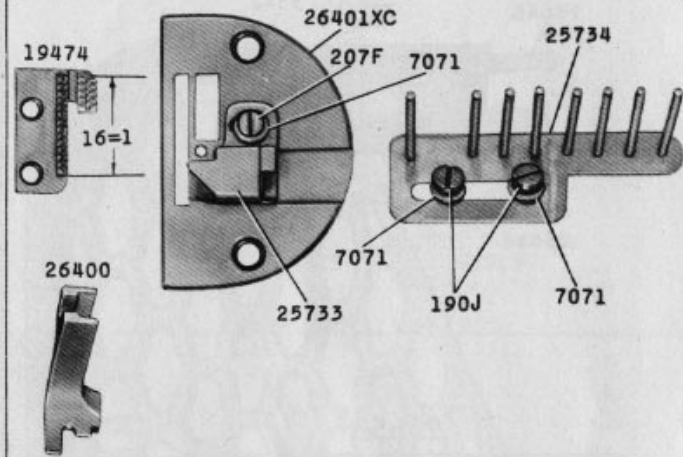
25656



From the library of: Diamond Needle Corp

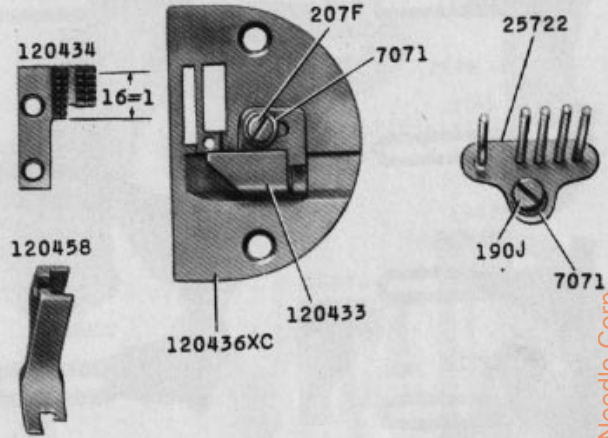
22916 - 2/3

26402

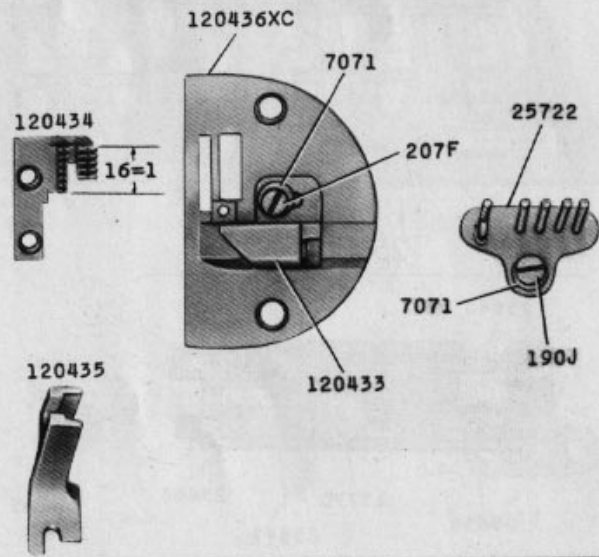


22918 - 2/3

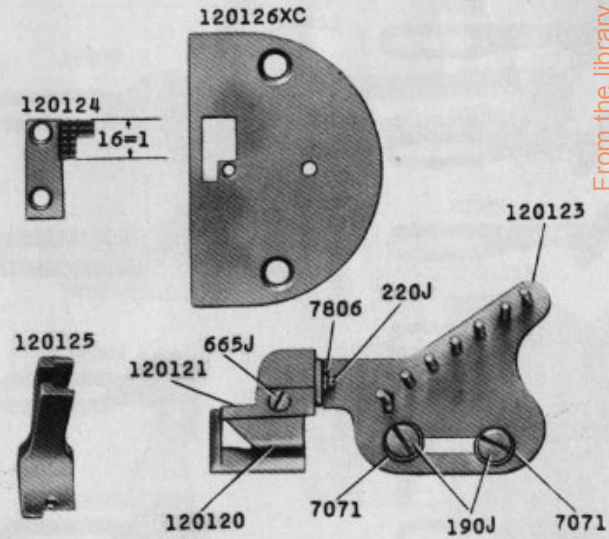
120459



120437

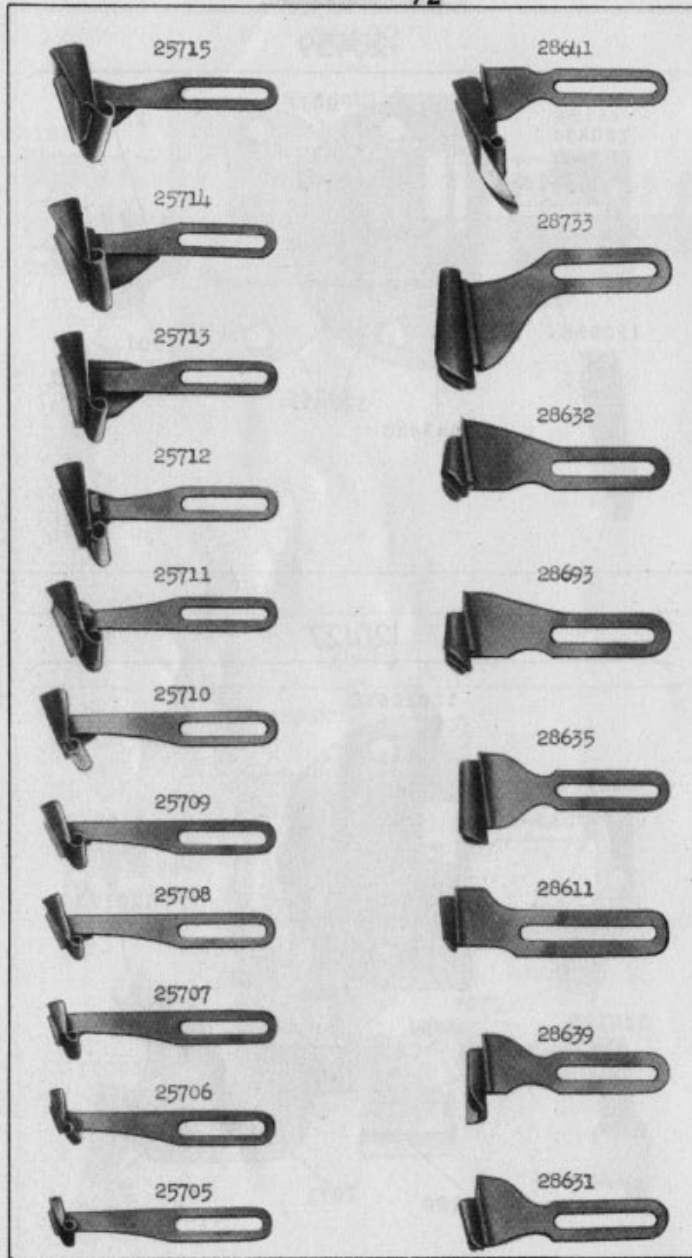


120127

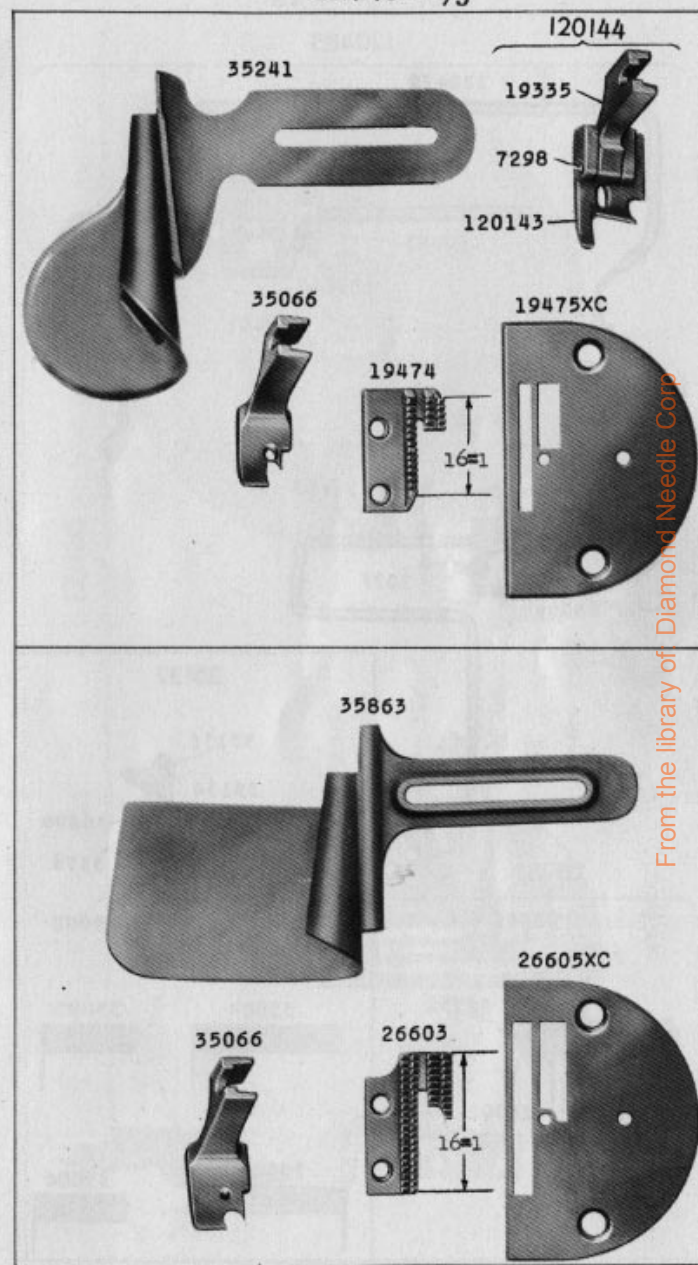


From the library of Diamond Needle Corp

22922 - 1/2

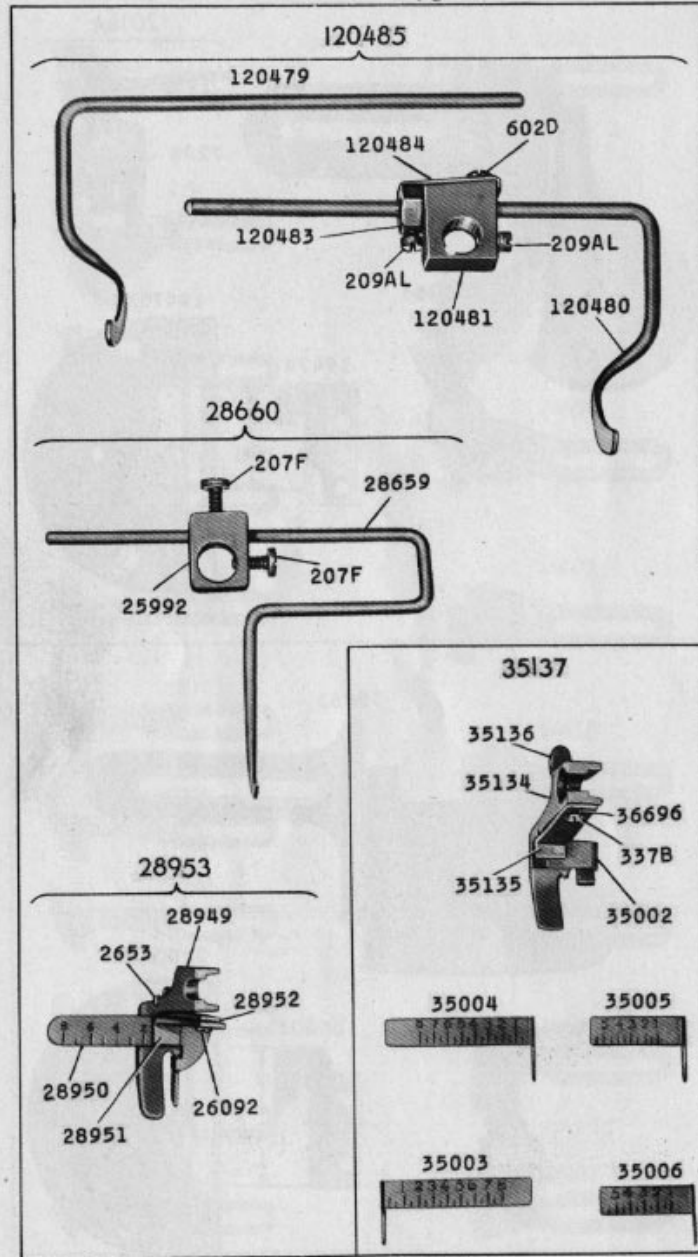


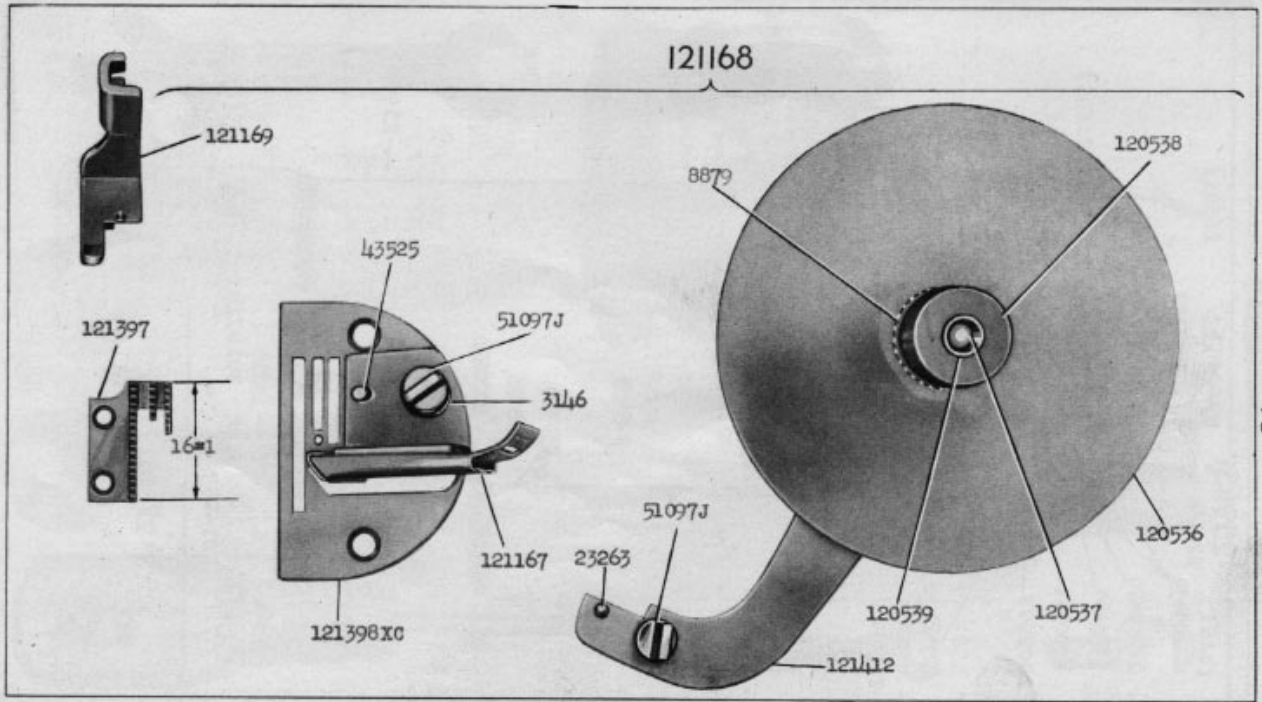
22943 - 2/3



From the library of Diamond Needle Corp

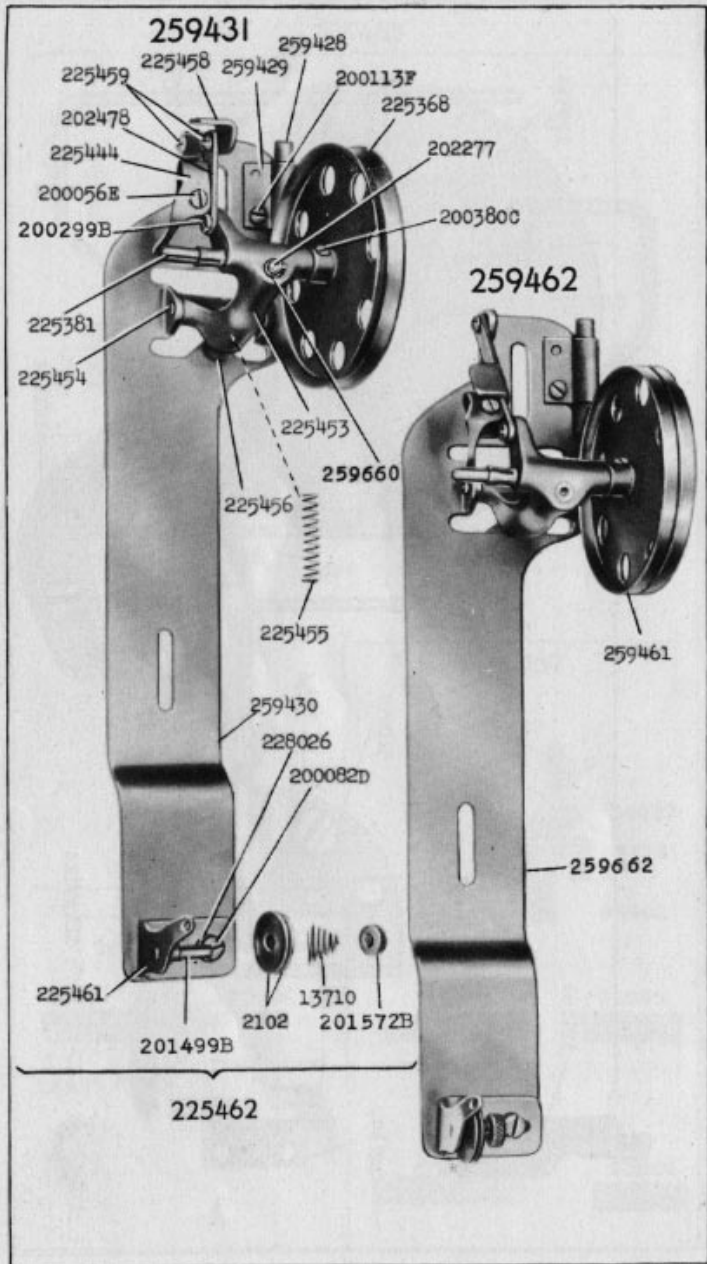
22946 - 2/3



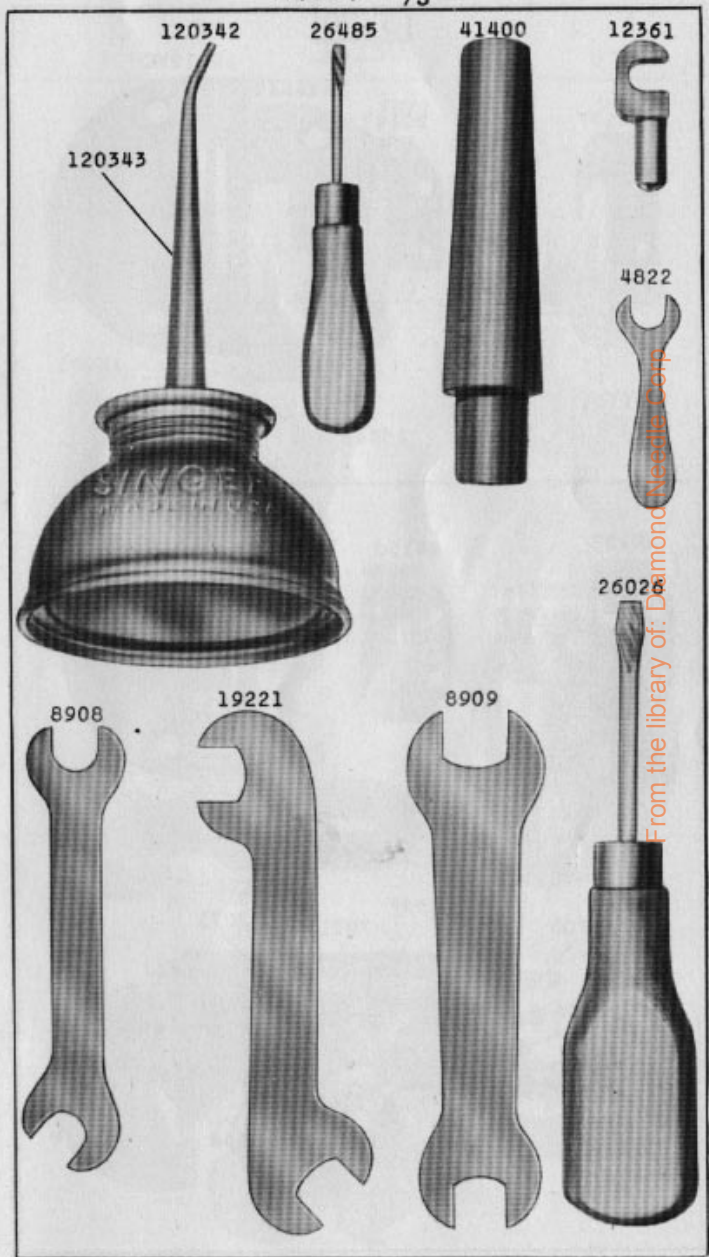


23249 - 2/3

23253 - 3/8



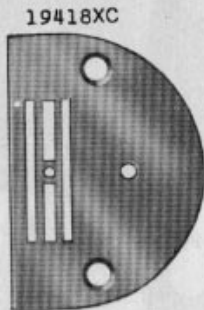
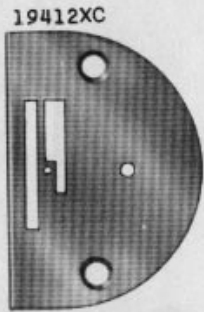
24059 - 2/3



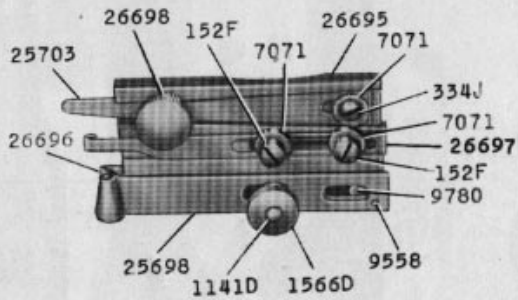
From the library of: Diamond Needle Corp

24060 - 2/3

31-20

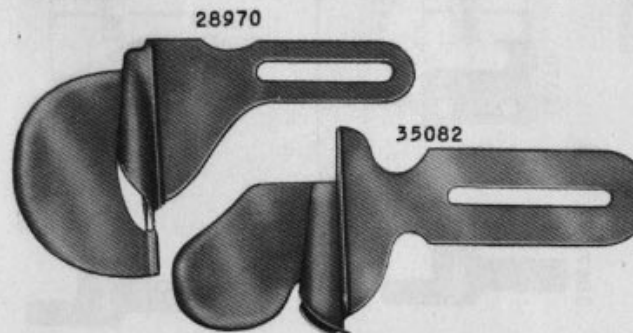
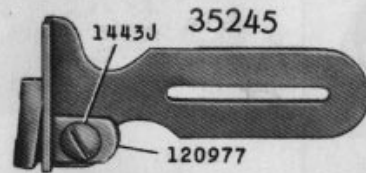
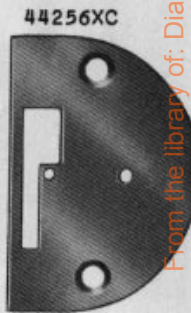
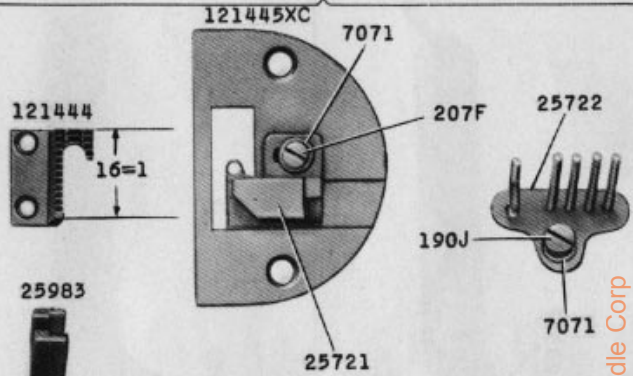


26694

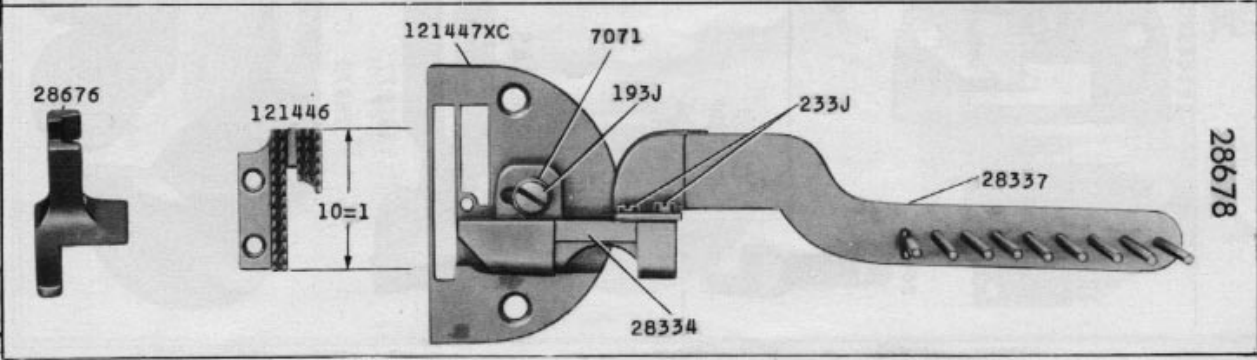
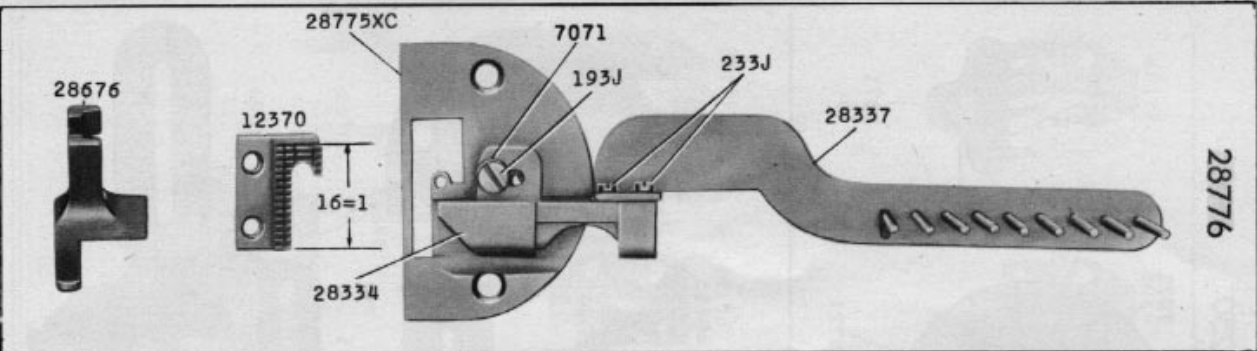


24061 - 2/3

26250

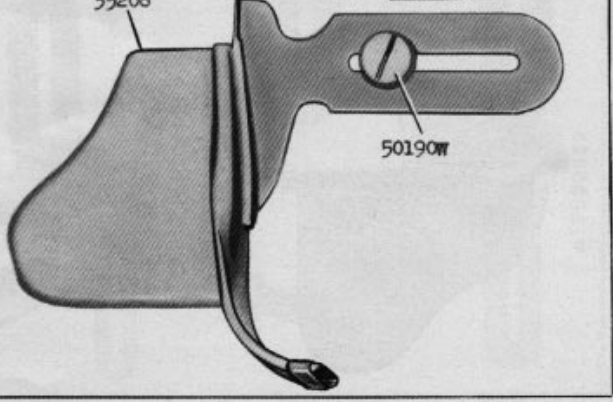
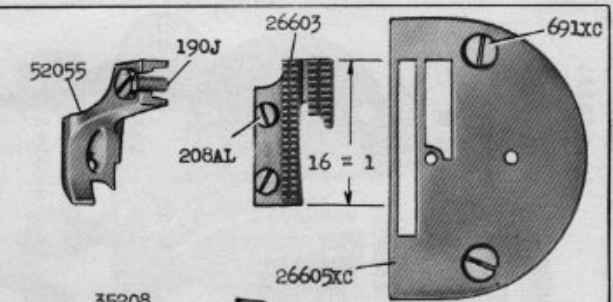
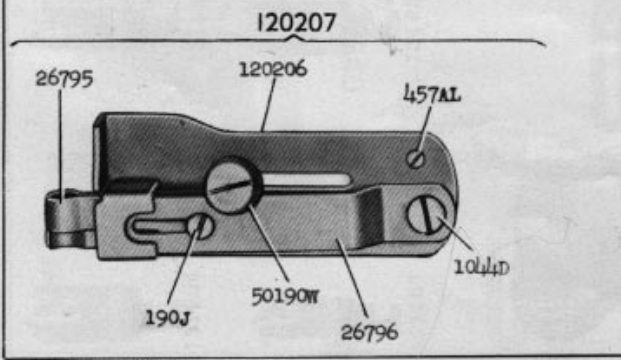
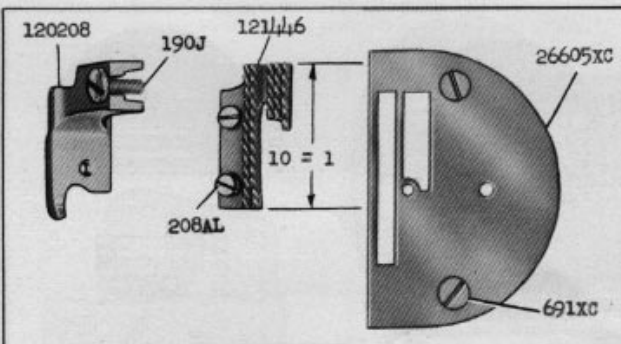


From the library of: Diamond Needle Corp



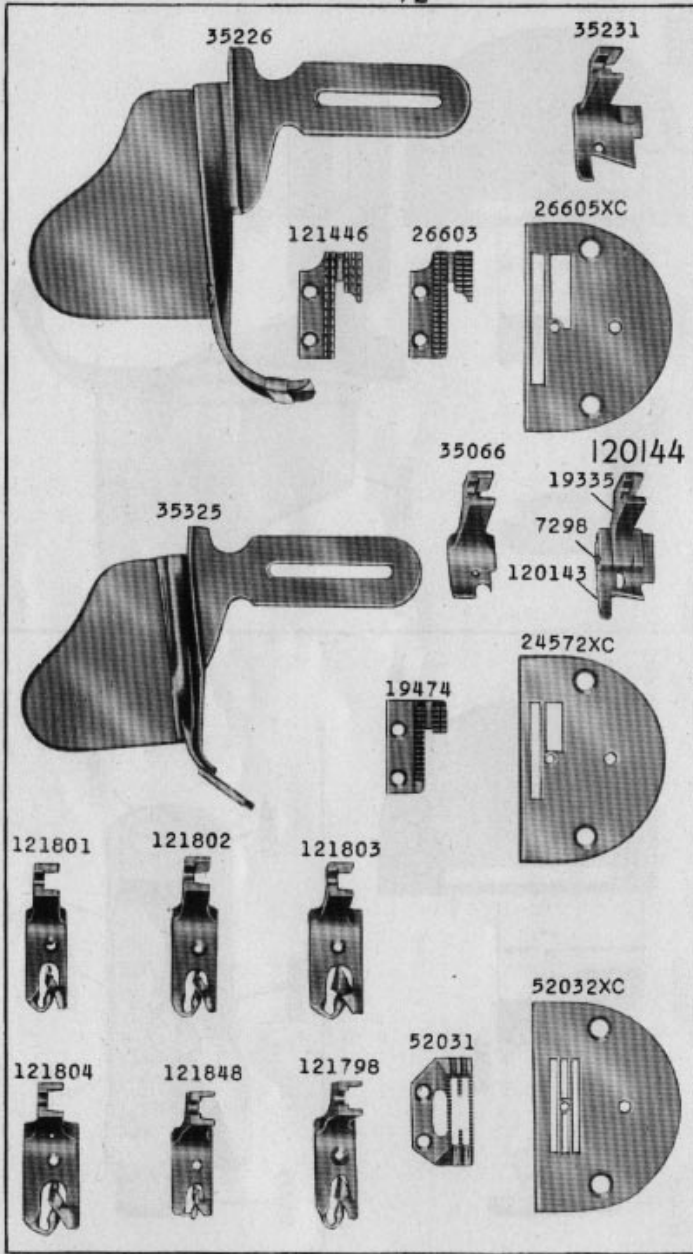
24062 - 2/3

8 - 0668

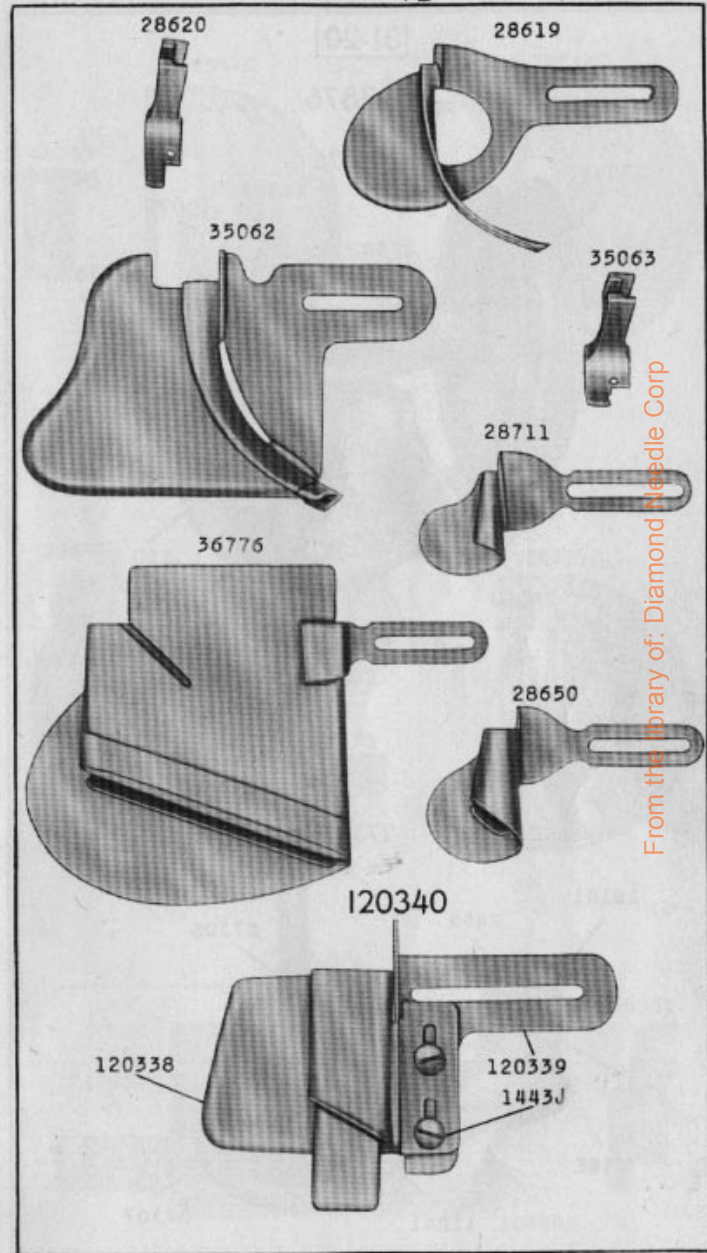


24063 - 2/3

24064 - 1/2



24065 - 1/2



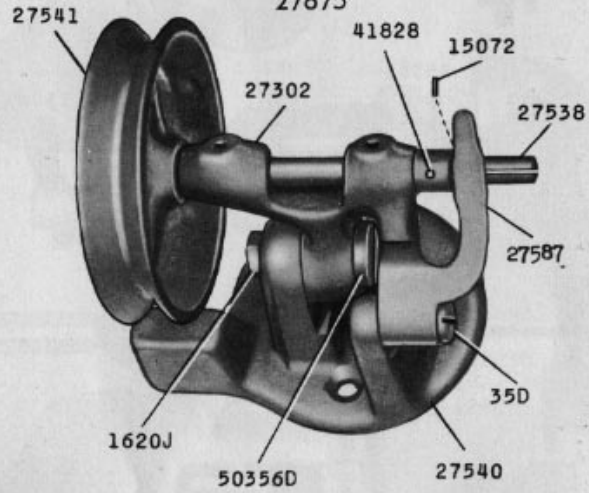
From the library of: Diamond Needle Corp

24066 - 2/3

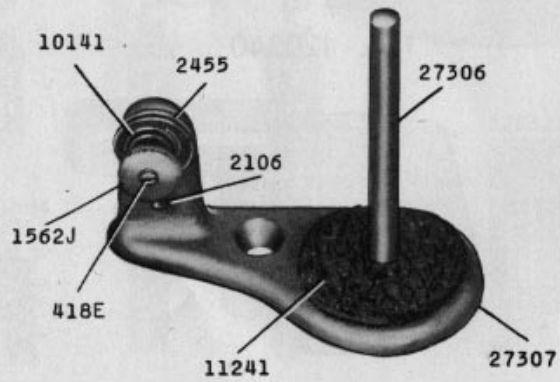
31-20

27876

27875



27308



24067 - 2/3

44255XC

12464XC

20348

44253

12450

28671

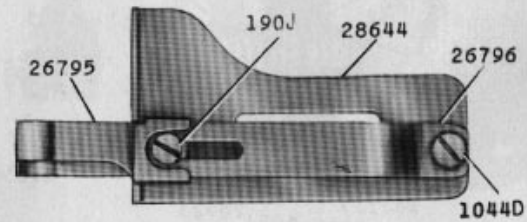
12481

12482XC

43978

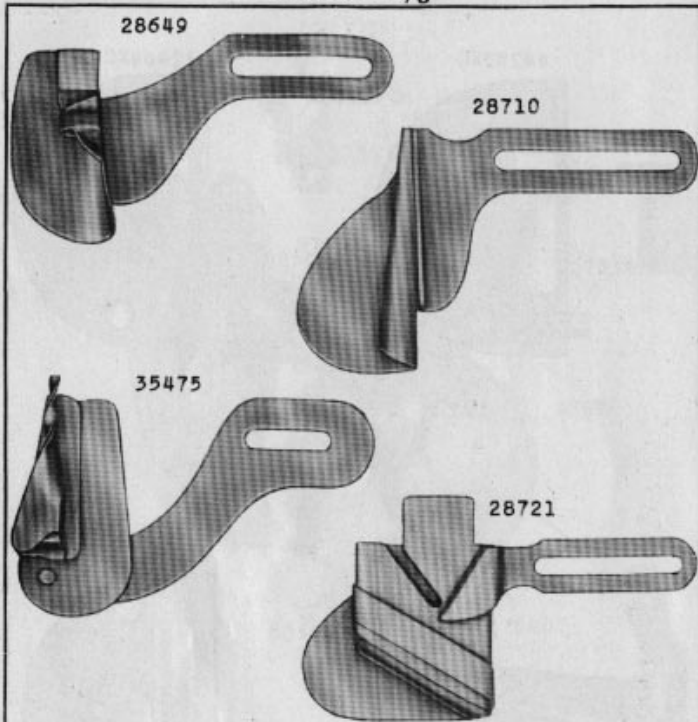
28645

35562

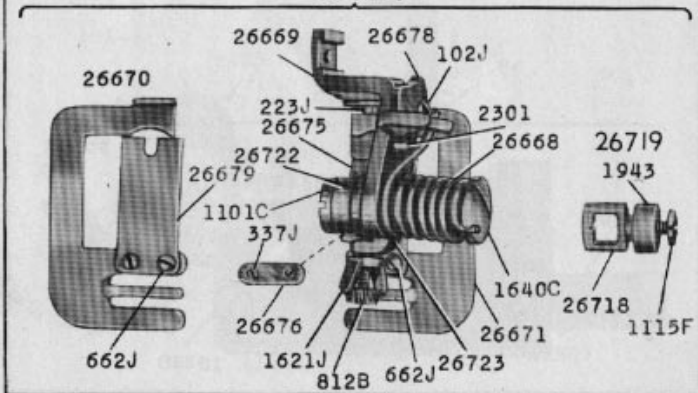


From the library of Diamond Needle Corp

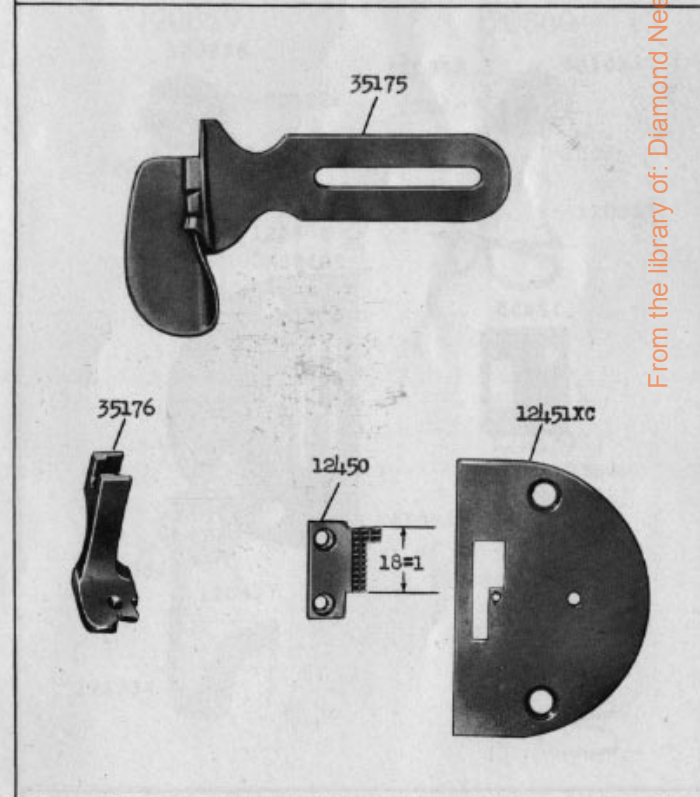
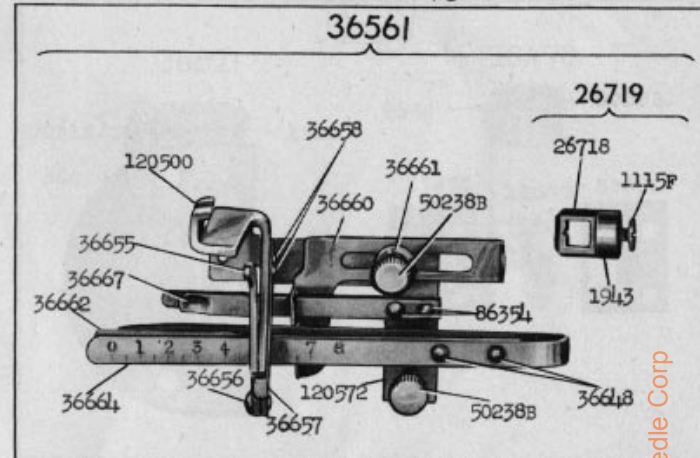
24068 - 2/3



26724



24069 - 2/3

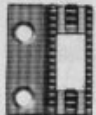


From the library of: Diamond Needle Corp

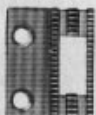
24070 - 2/3

31-15

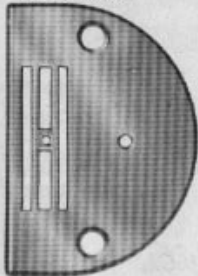
12468



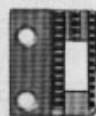
20471



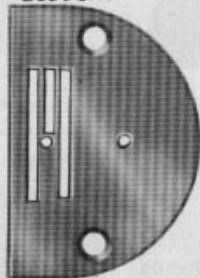
139616XC



12455

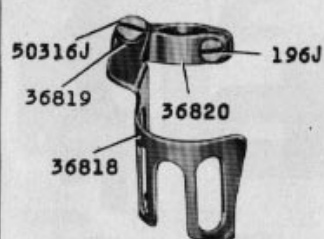


20398XC

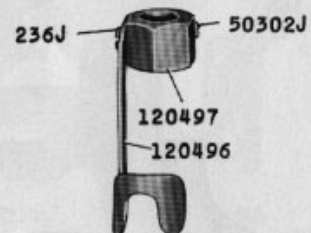


24071 - 2/3

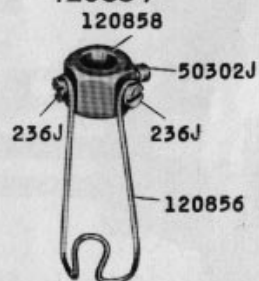
36821



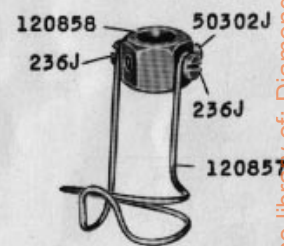
120498



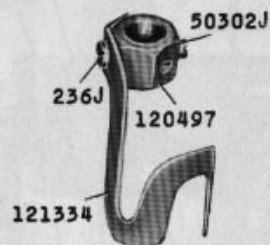
120859



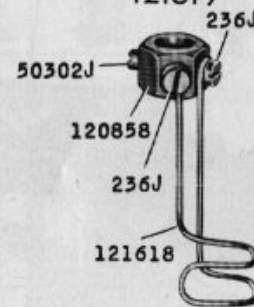
120860



121335

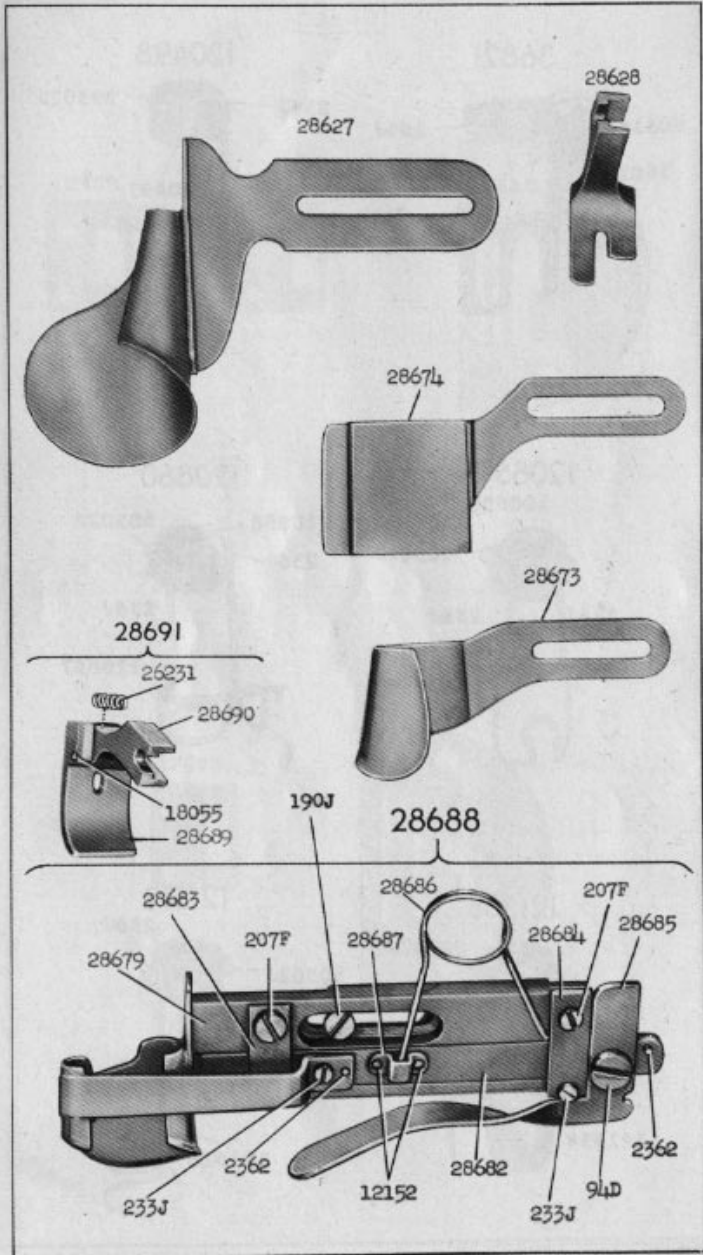


121619

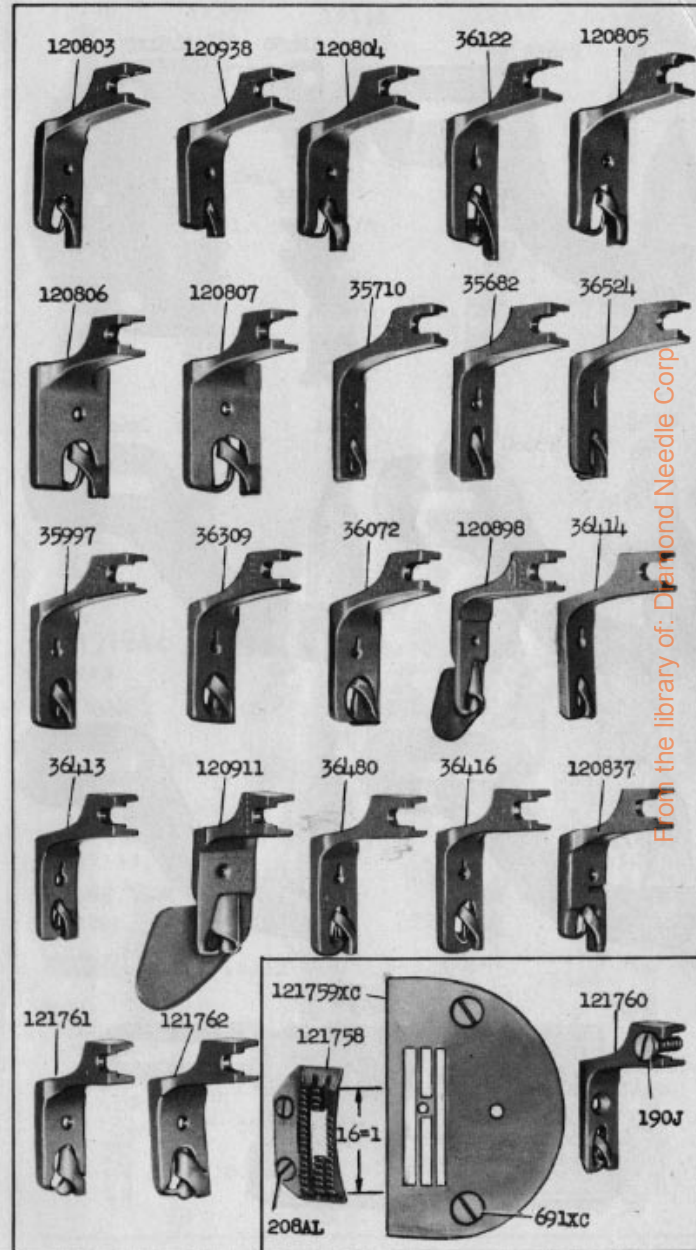


From the library of: Diamond Needle Corp

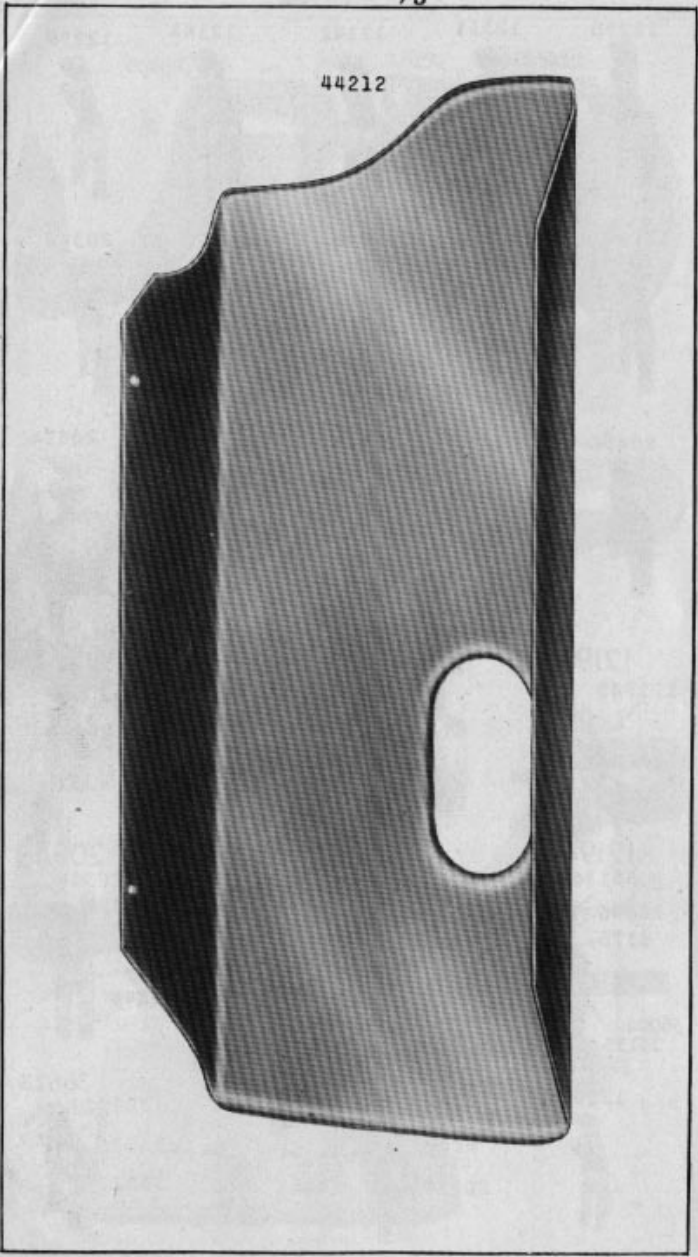
24072 - 2/3



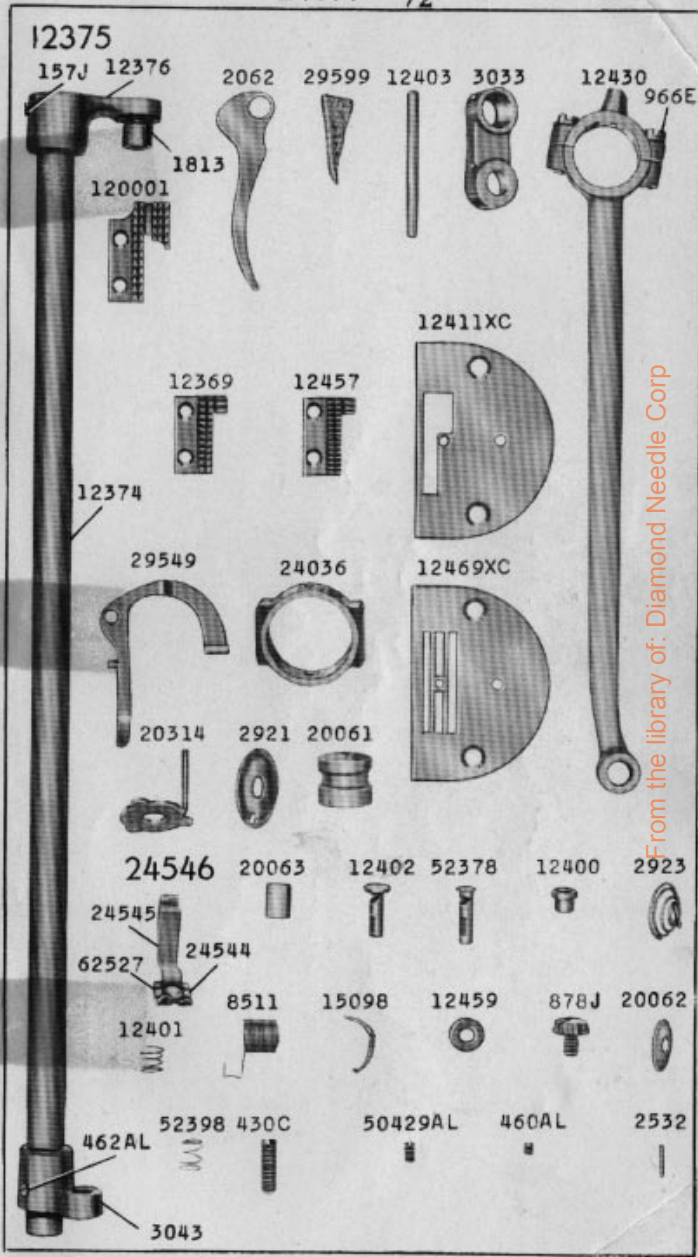
24073 - 2/3



24076 - 1/3



24077 - 1/2



From the library of: Diamond Needle Corp